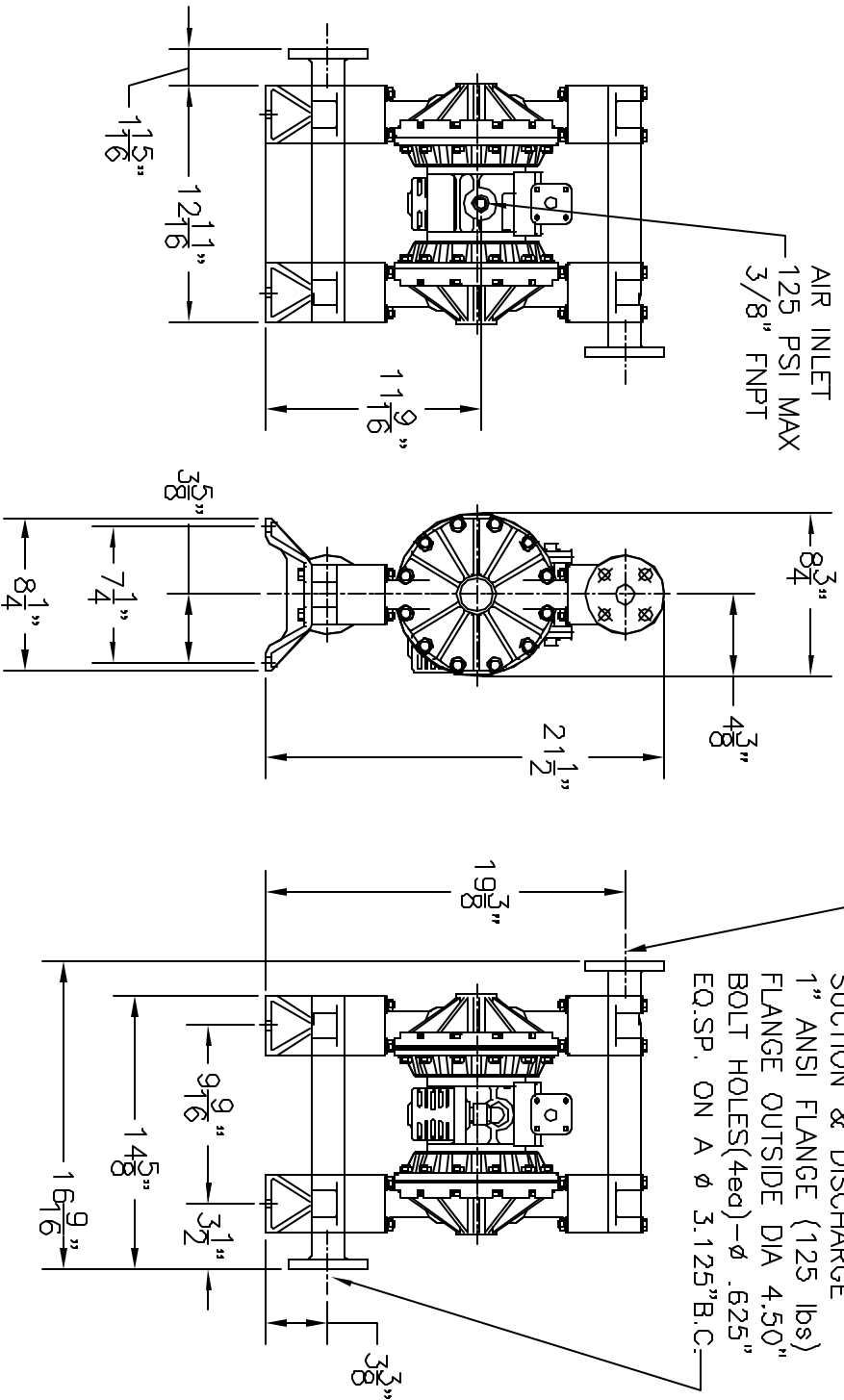


DESCRIPTION
1" AOD POLYPROPYLENE

REF. NO.
AOD1-P

DATE
9/16/02

REV.
B



SUCTION & DISCHARGE
1" ANSI FLANGE (125 lbs)
FLANGE OUTSIDE DIA 4.50"
BOLT HOLES(4ea)-Ø .625"
EQ.SP. ON A Ø 3.125"B.C.

NOTE: ALL DIMENSIONS HAVE BEEN ROUNDED TO THE NEAREST 1/16".

FACTORY FAX TRANSMITTAL DRAWING

PRICE PUMP CO.

#1 Pump Way P.O. Box 0
Sonoma, CA 95476 (707) 938-8441
707-FAX 938-0764