

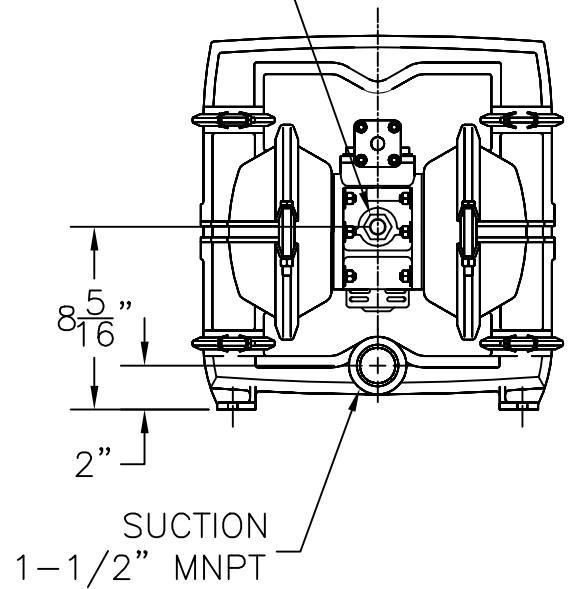
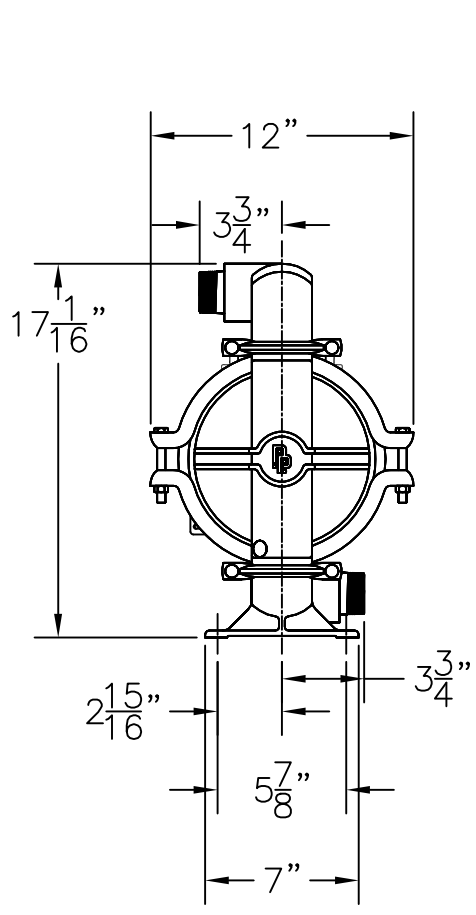
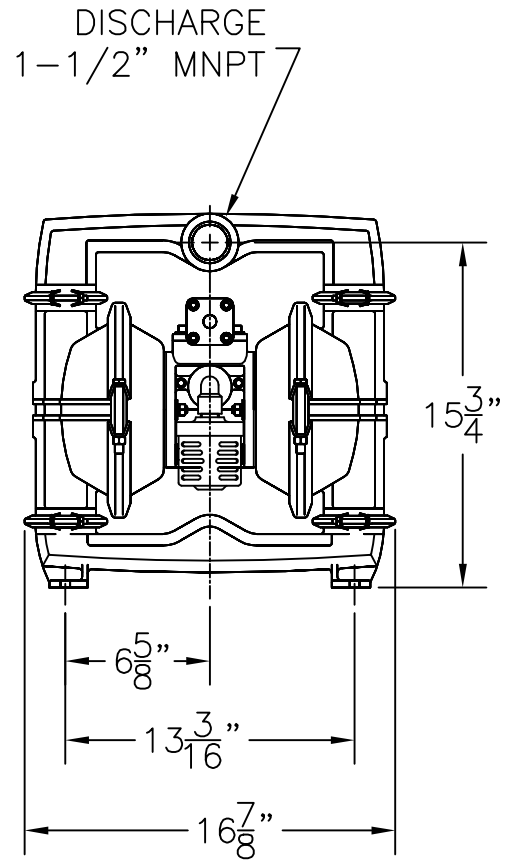
DESCRIPTION
1-1/2" AOD ALUMINUM

REF. NO.
AOD15-A

DATE
11/28/00

REV.
A

PRICE PUMP CO.
FACTORY FAX TRANSMITTAL DRAWING



NOTE: ALL DIMENSIONS HAVE BEEN ROUNDED TO THE NEAREST 1/16"

#1 Pump Way P.O. Box Q
Sonoma, CA 95476 (707) 938-8441
707-FAX 938-0764