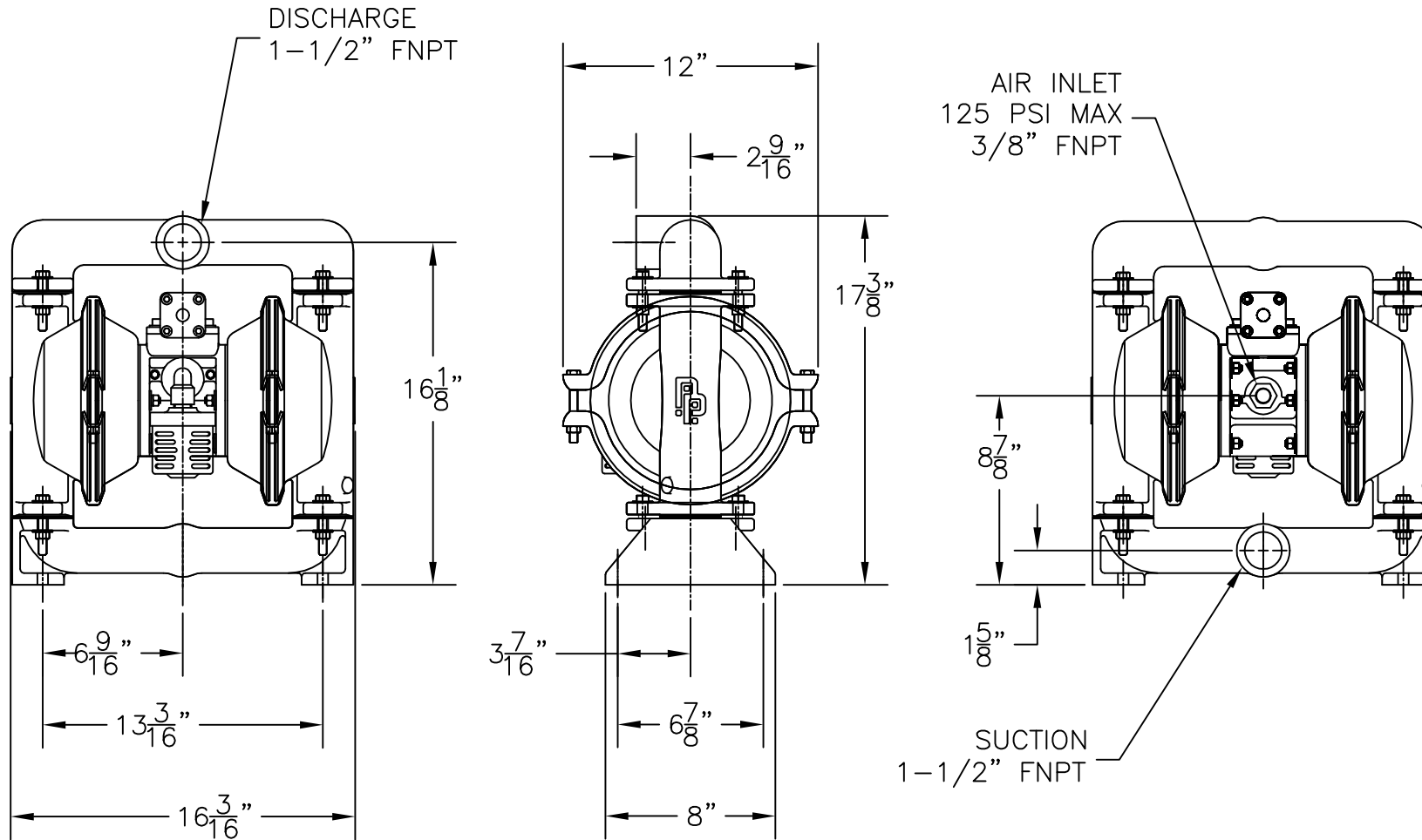


DESCRIPTION
1-1/2" AOD CAST IRON

REF. NO.
AOD15-C

DATE
11/28/00

REV.
A



PRICE PUMP CO.

FACTORY FAX TRANSMITTAL DRAWING

#1 Pump Way P.O. Box Q
Sonoma, CA 95476 (707) 938-8441
707-FAX 938-0764

NOTE: ALL DIMENSIONS HAVE BEEN ROUNDED TO THE NEAREST 1/16".