

DESCRIPTION

1-1/2" AOD STAINLESS STEEL

REF. NO.

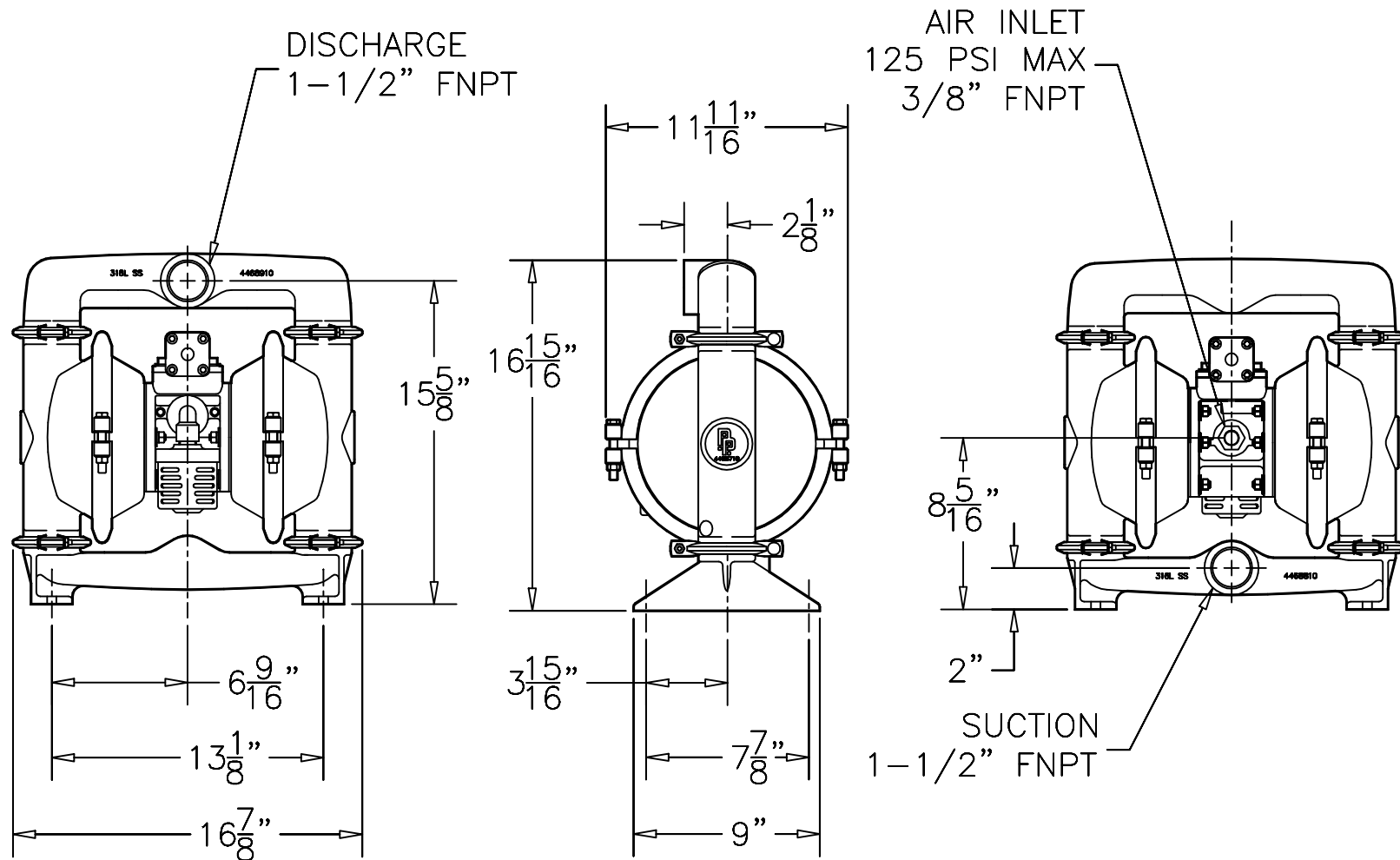
AOD15-S

DATE

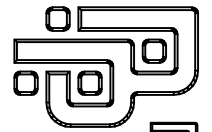
11/28/00

REV.

A



NOTE: ALL DIMENSIONS HAVE BEEN ROUNDED TO THE NEAREST 1/16".



PRICE PUMP CO.

FACTORY FAX TRANSMITTAL DRAWING

#1 Pump Way P.O. Box Q
Sonoma, CA 95476 (707) 938-8441
707-FAX 938-0764