

DESCRIPTION

2" AOD - CAST IRON - TEFLON

REF. NO.

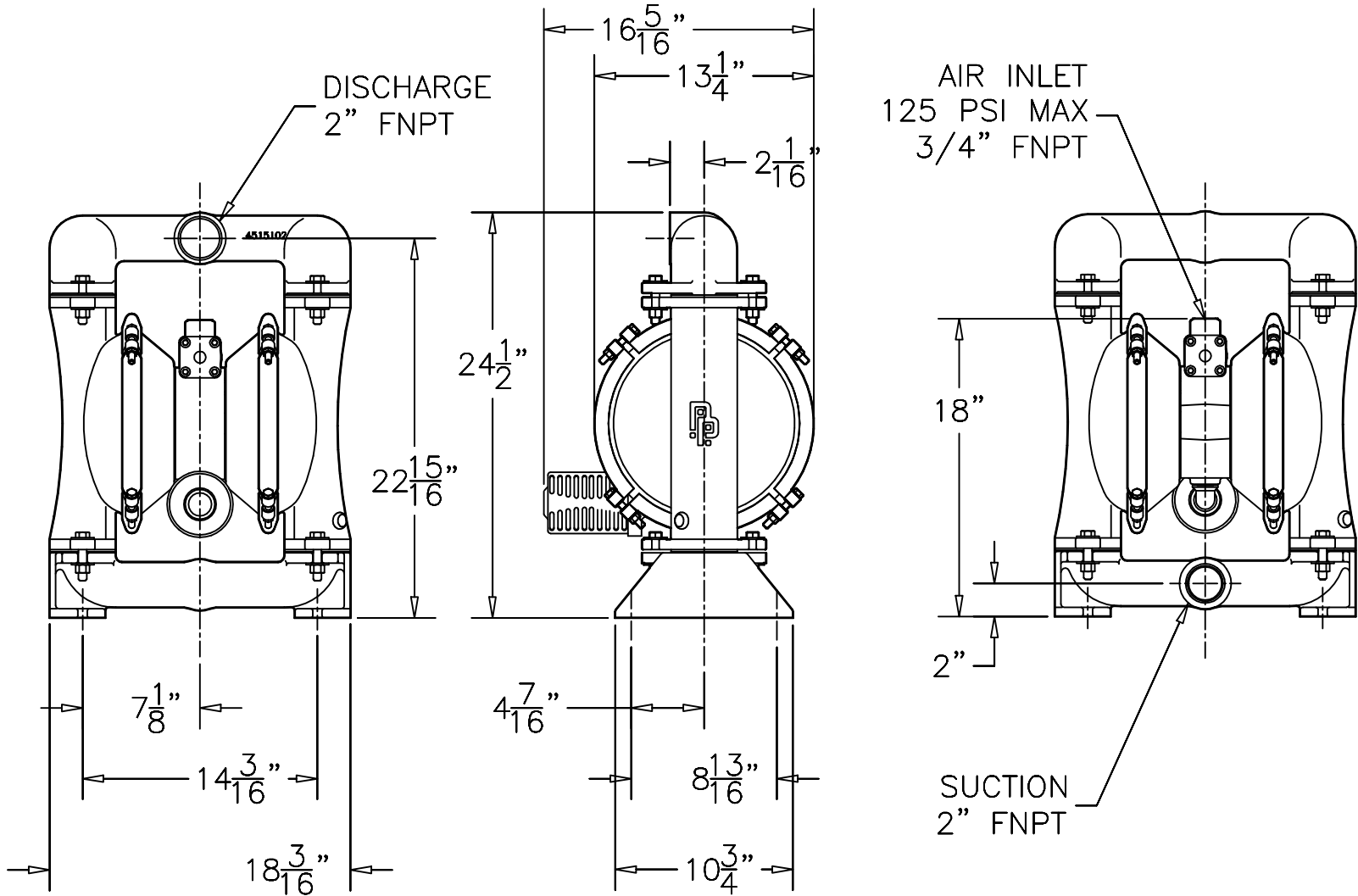
AOD2-CT

DATE

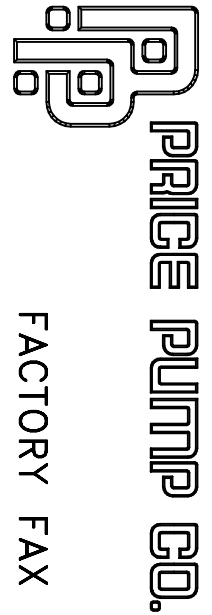
11/28/00

REV.

A



NOTE: ALL DIMENSIONS HAVE BEEN ROUNDED TO THE NEAREST 1/16".



FACTORY FAX TRANSMITTAL DRAWING

#1 Pump Way P.O. Box 0
 Sonoma, CA 95476 (707) 938-8441
 707-FAX 938-0764