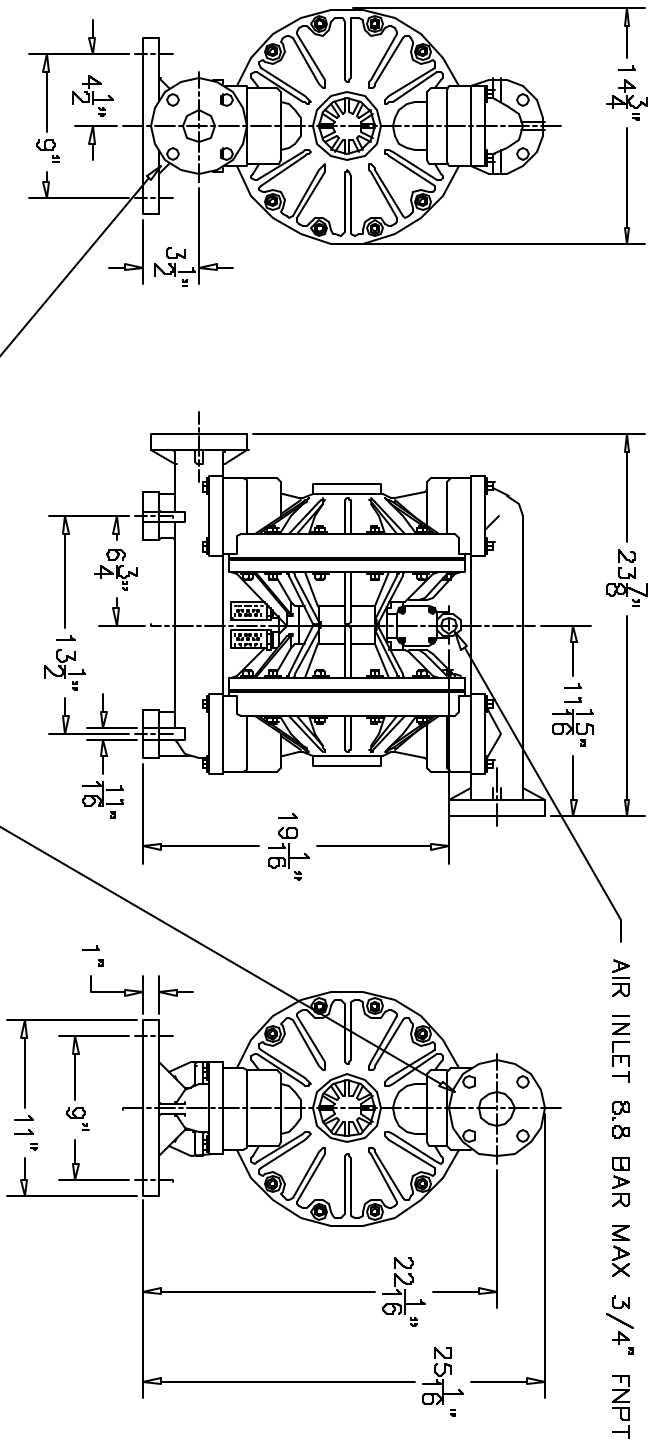


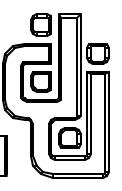
DESCRIPTION  
 2" AOD - POLYPRO OR KYNAR-MET

REF. NO. AOD2-P MET09/16/02  
 DATE 9/16/02  
 REV. B



SUCTION AND DISCHARGE:  
 2" ANSI FLANGES  
 FLANGE OUTSIDE DIA 6.00"  
 BOLT HOLES (4 EA.) Ø.750"  
 EQ SP ON A Ø4.750" B.C.

NOTE: ALL DIMENSIONS HAVE BEEN ROUNDED TO THE NEAREST 1/16"



PRICE PUMP CO.

FACTORY FAX TRANSMITTAL DRAWING

#1 Pump Way P.O. Box 9  
 Sonoma, CA 95478 (707) 938-8441  
 707-FAX 938-0764