

DESCRIPTION

2" AOD STAINLESS - (NOT TEFLON)

REF. NO.

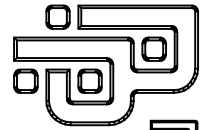
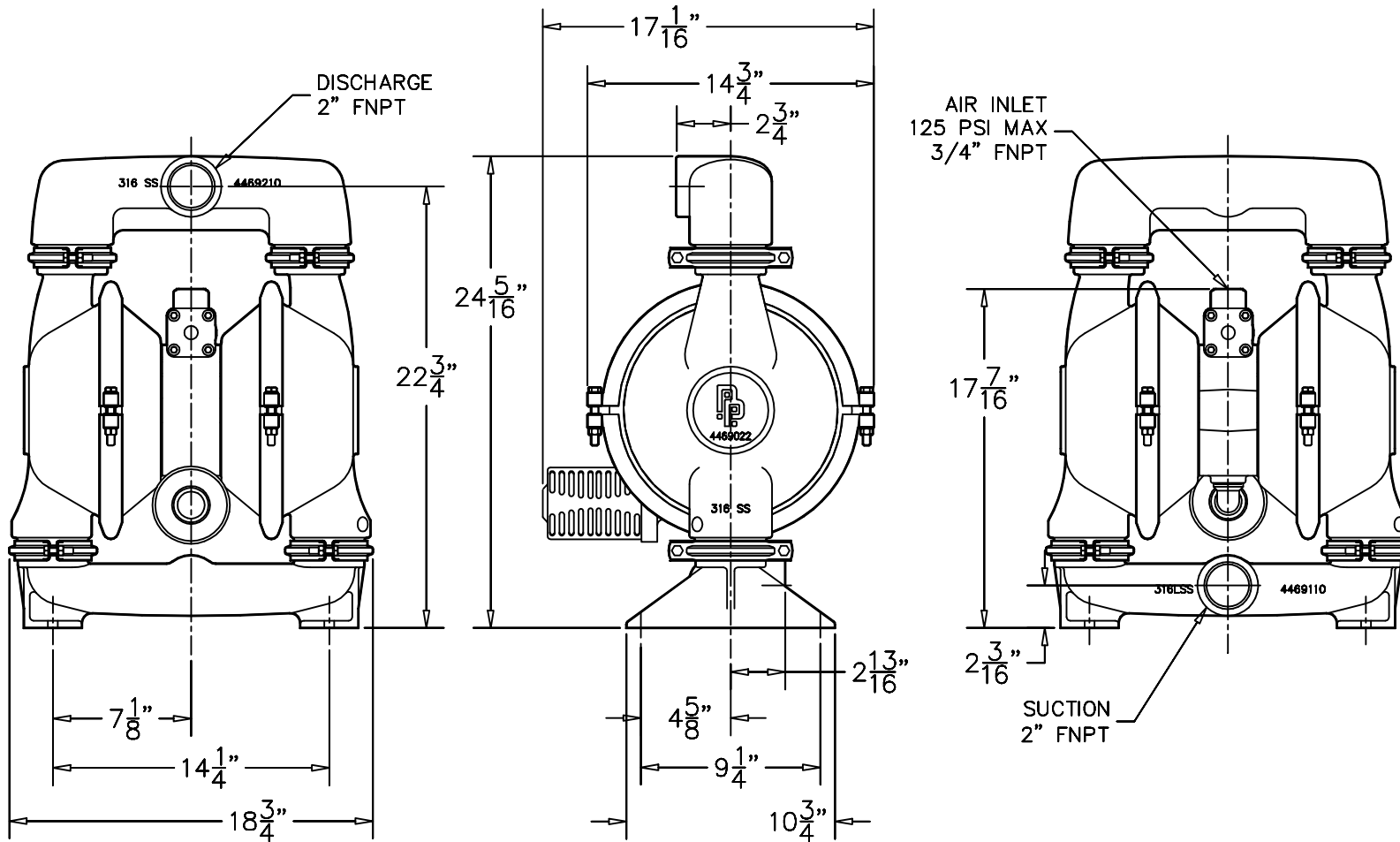
AOD2-S

DATE

11/28/00

REV.

A



PRICE PUMP CO.

FACTORY FAX TRANSMITTAL DRAWING

#1 Pump Way P.O. Box Q
 Sonoma, CA 95476 (707) 938-8441
 707-FAX 938-0764

NOTE: ALL DIMENSIONS HAVE BEEN ROUNDED TO THE NEAREST 1/16".