

DESCRIPTION

3" AOD ALUMINUM - (NOT TEFLON)

REF. NO.

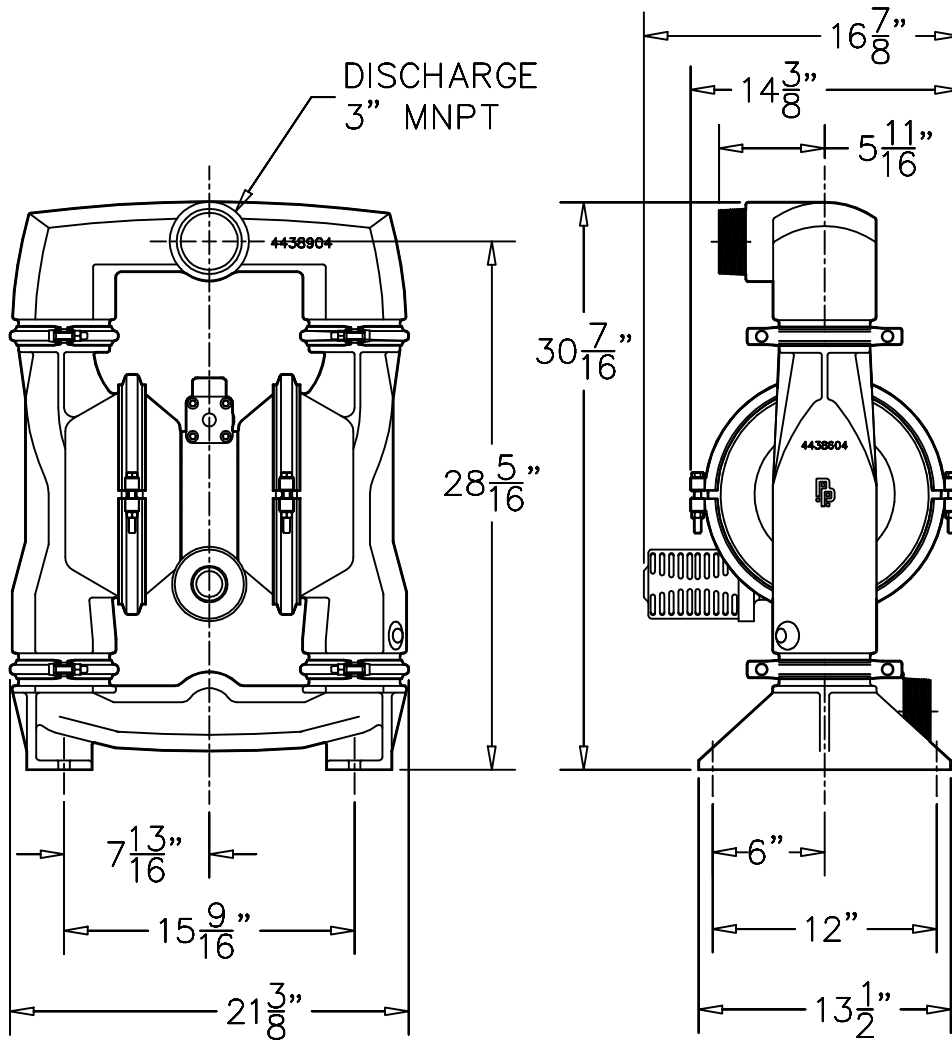
AOD3-A

DATE

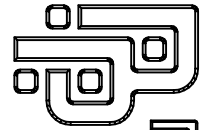
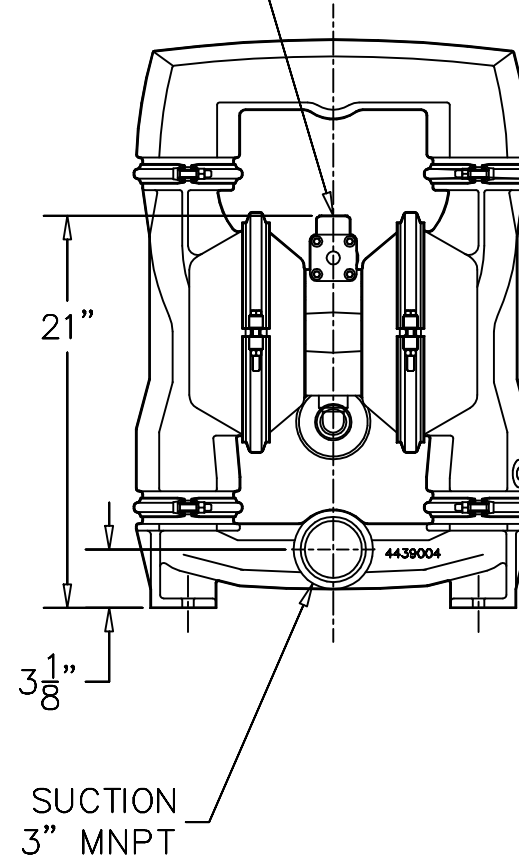
8/11/99

REV.

-



AIR INLET
125 PSI MAX
3/4" FNPT



PRICE PUMP CO.

FACTORY FAX TRANSMITTAL DRAWING

#1 Pump Way P.O. Box Q
Sonoma, CA 95476 (707) 938-8441
707-FAX 938-0764

NOTE: ALL DIMENSIONS HAVE BEEN ROUNDED TO THE NEAREST 1/16".