

DESCRIPTION

3" AOD CAST IRON - TEFLON

REF. NO.

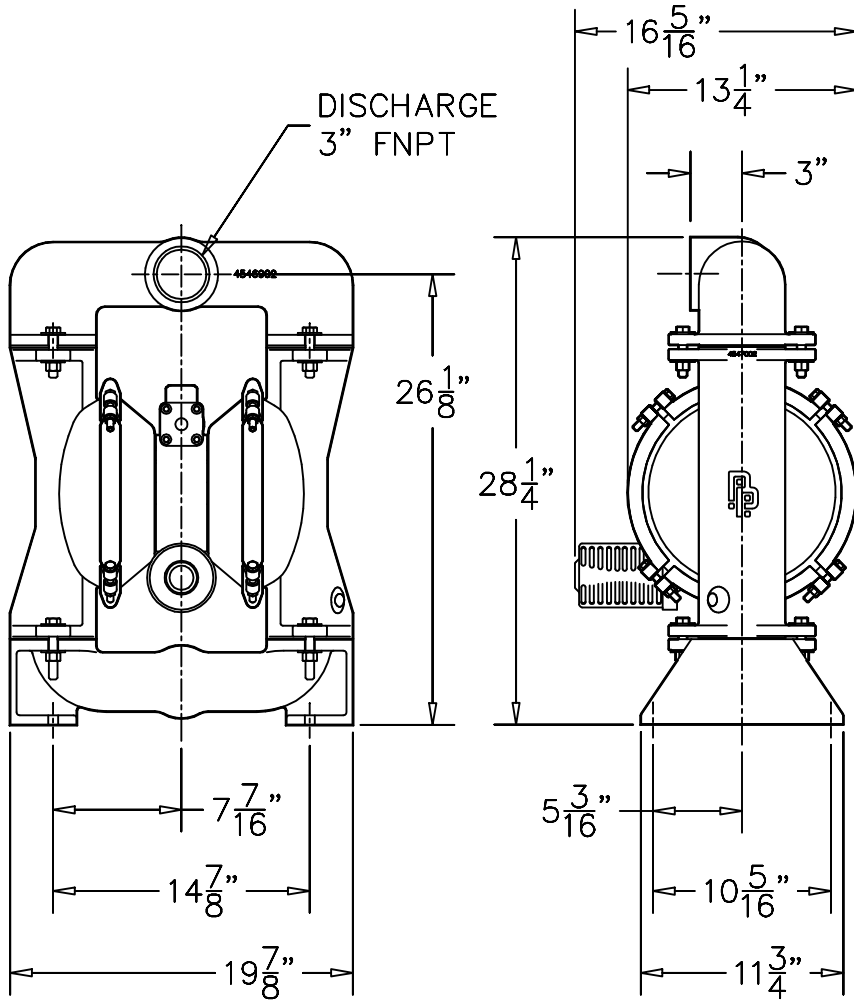
AOD3-CT

DATE

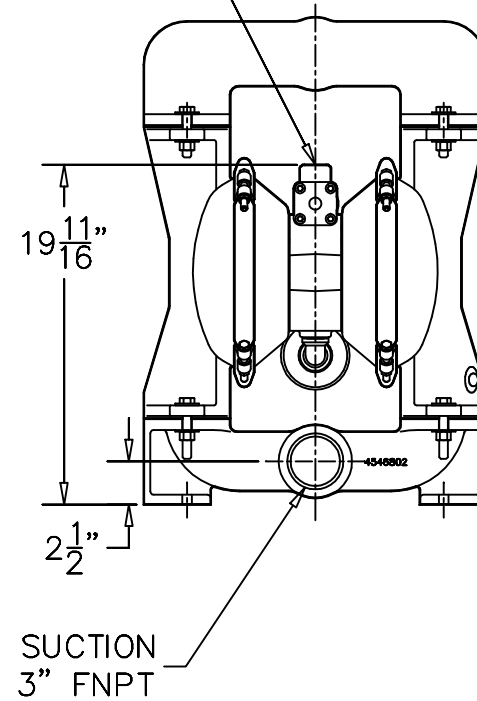
11/28/00

REV.

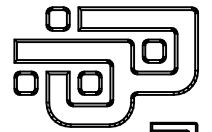
A



AIR INLET
125 PSI MAX
3/4" FNPT



NOTE: ALL DIMENSIONS HAVE BEEN ROUNDED TO THE NEAREST 1/16".



PRICE PUMP CO.

FACTORY FAX TRANSMITTAL DRAWING

#1 Pump Way P.O. Box Q
Sonoma, CA 95476 (707) 938-8441
707-FAX 938-0764