

DESCRIPTION

1/2" AOD - POLYPROPYLENE

REF. NO.

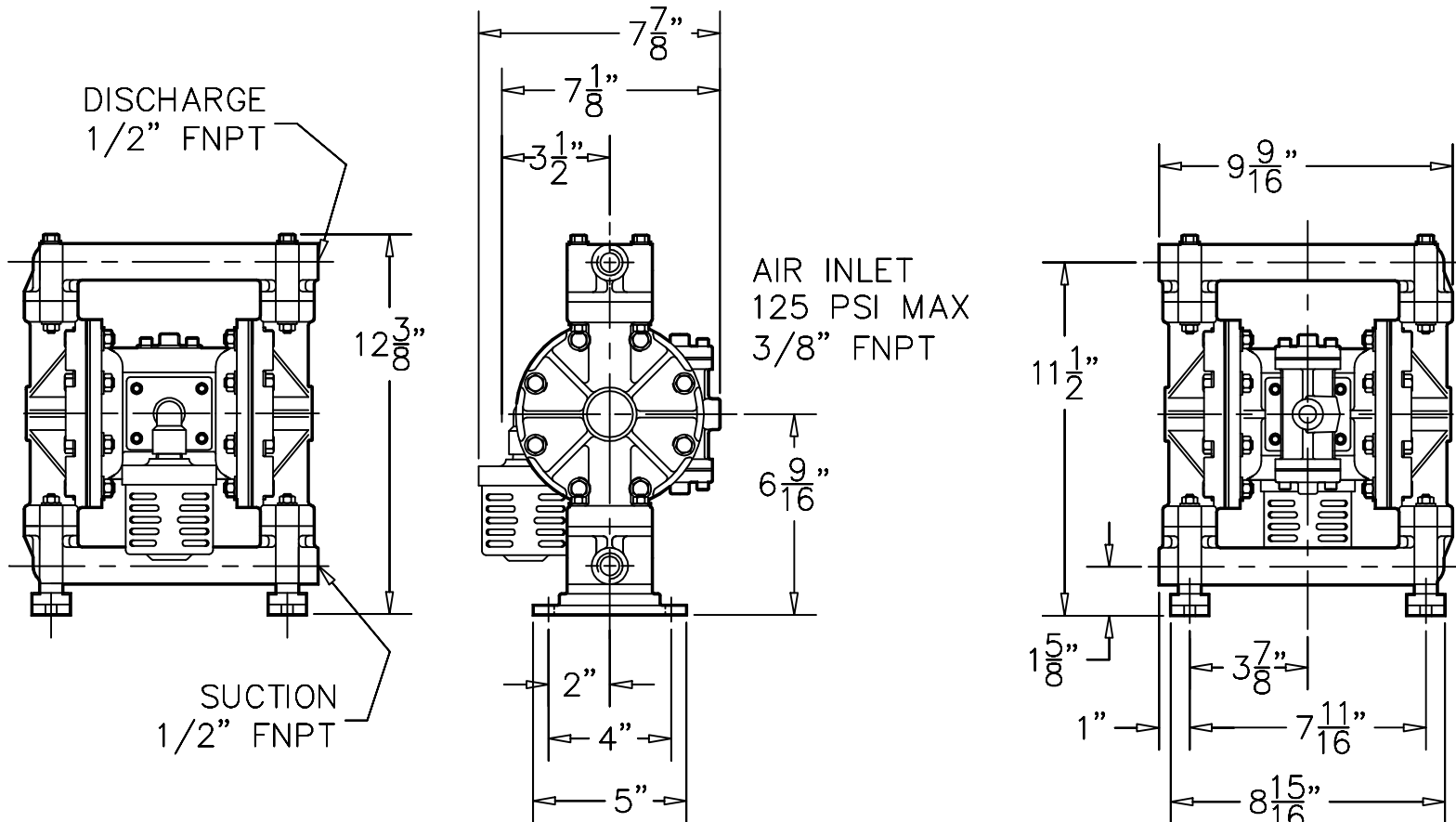
AOD.5-P

DATE

11/27/00

REV.

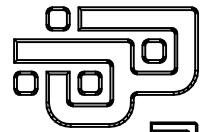
A



NOTE:

SUCTION AND DISCHARGE CONNECTIONS CAN BE ORIENTED TO SUIT.

NOTE: ALL DIMENSIONS HAVE BEEN ROUNDED TO THE NEAREST 1/16".



PRICE PUMP CO.

FACTORY FAX TRANSMITTAL DRAWING

#1 Pump Way P.O. Box Q  
Sonoma, CA 95476 (707) 938-8441  
707-FAX 938-0764