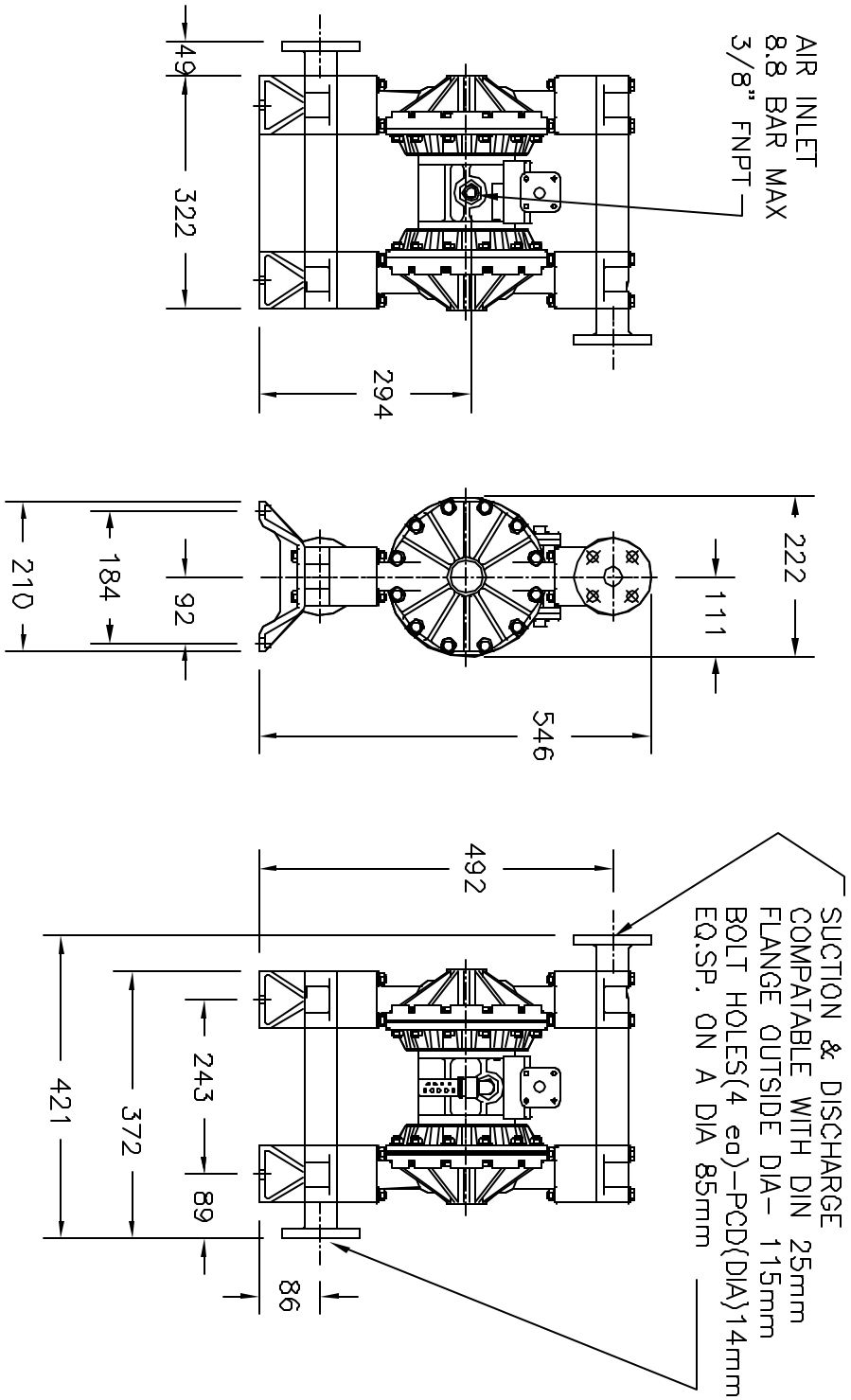


DESCRIPTION  
 1" AOD POLYPROPYLENE-MET (METRIC)

REF. NO. M-AOD1-P MET  
 DATE 9/16/02  
 REV. -



NOTE: ALL DIMENSIONS HAVE BEEN ROUNDED TO THE NEAREST 2mm.

FACTORY FAX TRANSMITTAL DRAWING

#1 Pump Way P.O. Box Q  
 Sonoma, CA 95476 (707) 938-8441  
 707-FAX 938-0764

