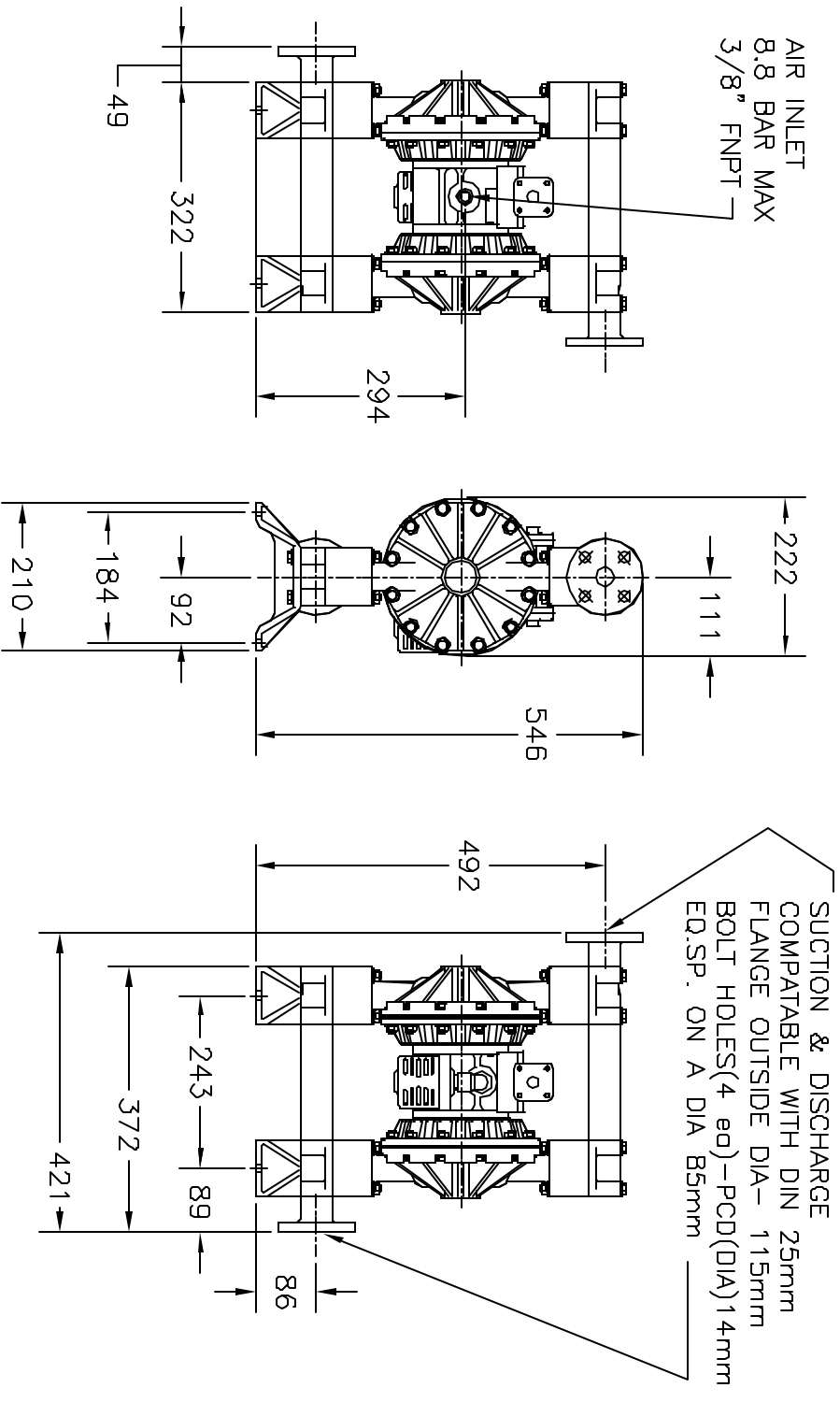
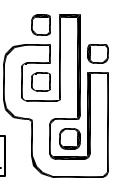


DESCRIPTION
 1" AOD POLYPROPYLENE (METRIC)

REF. NO. M-AOD1-P DATE 9/16/02 REV. A



NOTE: ALL DIMENSIONS HAVE BEEN ROUNDED TO THE NEAREST 2mm



PRICE PUMP CO.

FACTORY FAX TRANSMITTAL DRAWING

#1 Pump Way P.O. Box 0
 Sonoma, CA 95476 (707) 938-8441
 707-FAX 938-0764