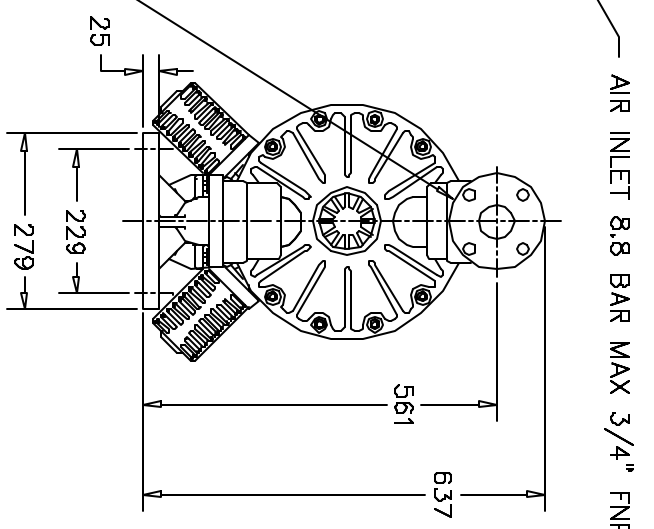
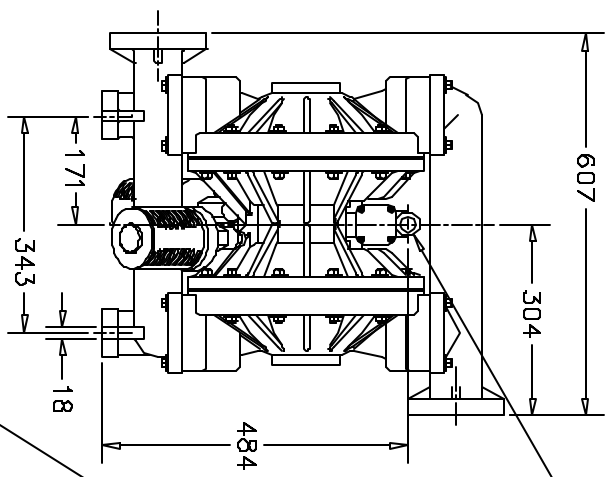
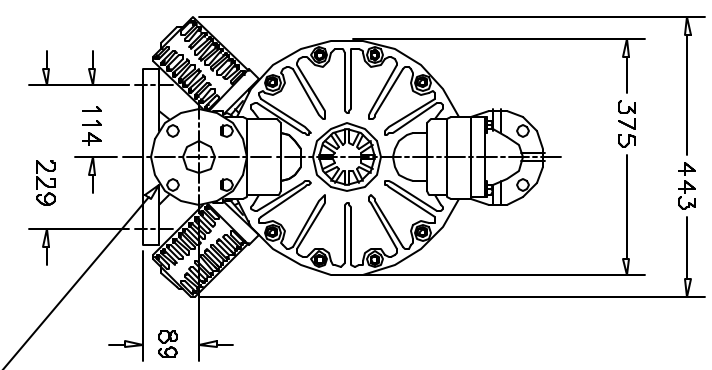


DESCRIPTION
 2" AOD - POLYPROPYLENE OR KYNAR (METRIC)

REF. NO.
 M-AOD2-P

DATE
 9/16/02

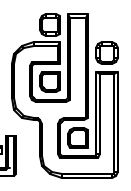
REV.
 A



AIR INLET 8.8 BAR MAX 3/4" FNPT

SUCTION & DISCHARGE
 COMPATIBLE WITH DIN 50mm
 FLANGE OUTSIDE DIA- 165mm
 BOLT HOLES(4 ea)-PCD(DIA)18mm
 EQ.SP. ON A DIA 125mm

NOTE: ALL DIMENSIONS HAVE BEEN ROUNDED TO THE NEAREST 2mm



PRICE PUMP CO.

FACTORY FAX TRANSMITTAL DRAWING

#1 Pump Way P.O. Box Q
 Sonoma, CA 95476 (707) 938-8441
 707-FAX 938-0764