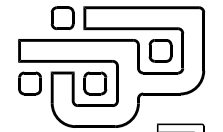


DESCRIPTION  
CD100/150 SS CLOSE COUPLED AIR MOTOR PUMP ASSY

REF. NO.  
O-CDSSAR

DATE  
8/31/07

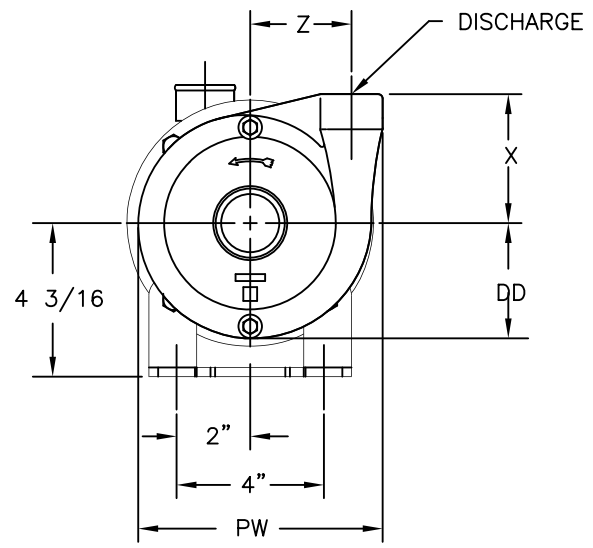
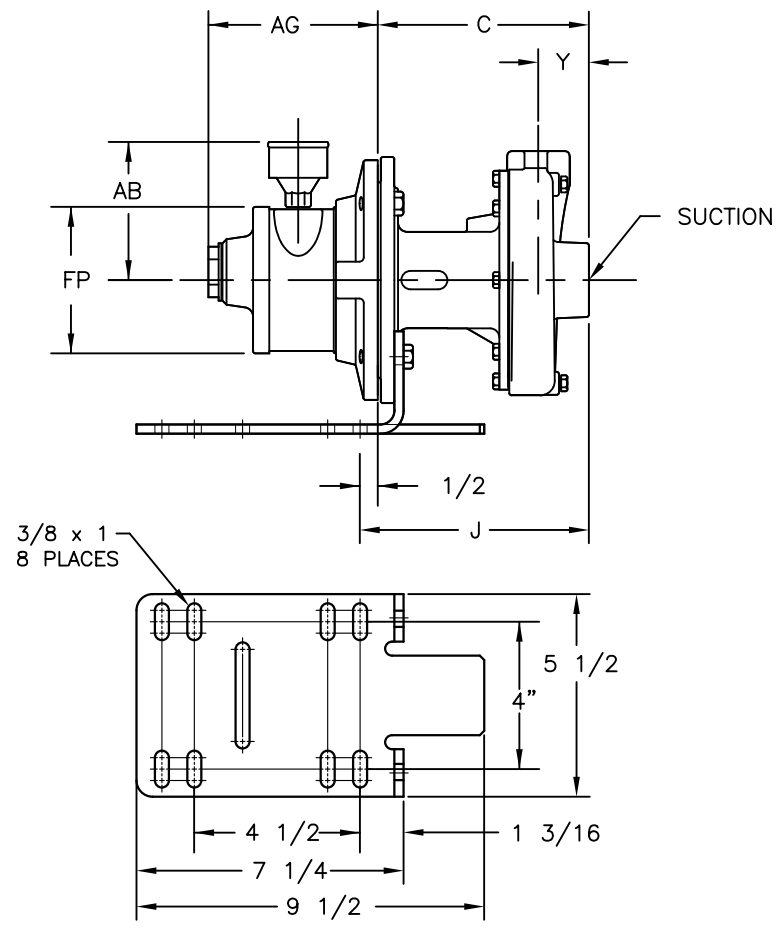
REV.  
C



PRICE PUMP CO.

FACTORY FAX TRANSMITTAL DRAWING

#1 Pump Way P.O. Box Q  
Sonoma, CA 95476 (707) 938-8441  
707-FAX 938-0764



MOTOR END DIMENSIONS			
MODEL NO.	AG	FP	AB
2AM-NCC-43A	3 3/4	4"	3 3/4
4AM-NRV-50C	4 5/8	4"	3 3/4
6AM-NRV-11A	6 3/16	5"	2 1/16

NOTE:  
MOTOR DIMENSIONS WILL VARY BY MODEL AND MAKE,  
DIMENSIONS ARE TO BE USED FOR REFERENCE ONLY.

NOTE:  
ALL DIMENSIONS HAVE BEEN ROUNDED TO THE NEAREST 1/8".

PUMP END DIMENSIONS									
	C	DD	PW	X	Y	Z	J	SUCTION	DISCHG
CD100 SS	5 3/4	3 1/8	6 5/8	3 1/2	1 3/8	2 3/4	6 1/4	1 1/4	1"
CD150 SS	6 13/16	4 1/16	7 15/16	3 13/16	2 1/8	3 1/16	7 5/16	2"	1 1/2