

DESCRIPTION

CD100/150 SS CLOSE COUPLED MOTOR PUMP ASSEMBLY W/ 184C MOTOR

REF. NO.

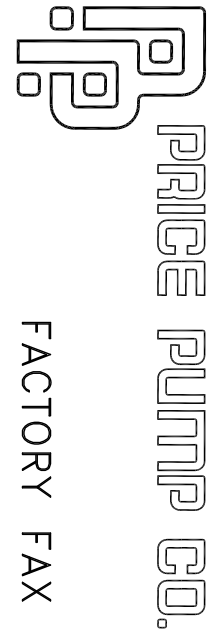
0-CDSSH-184C

DATE

11/15/12

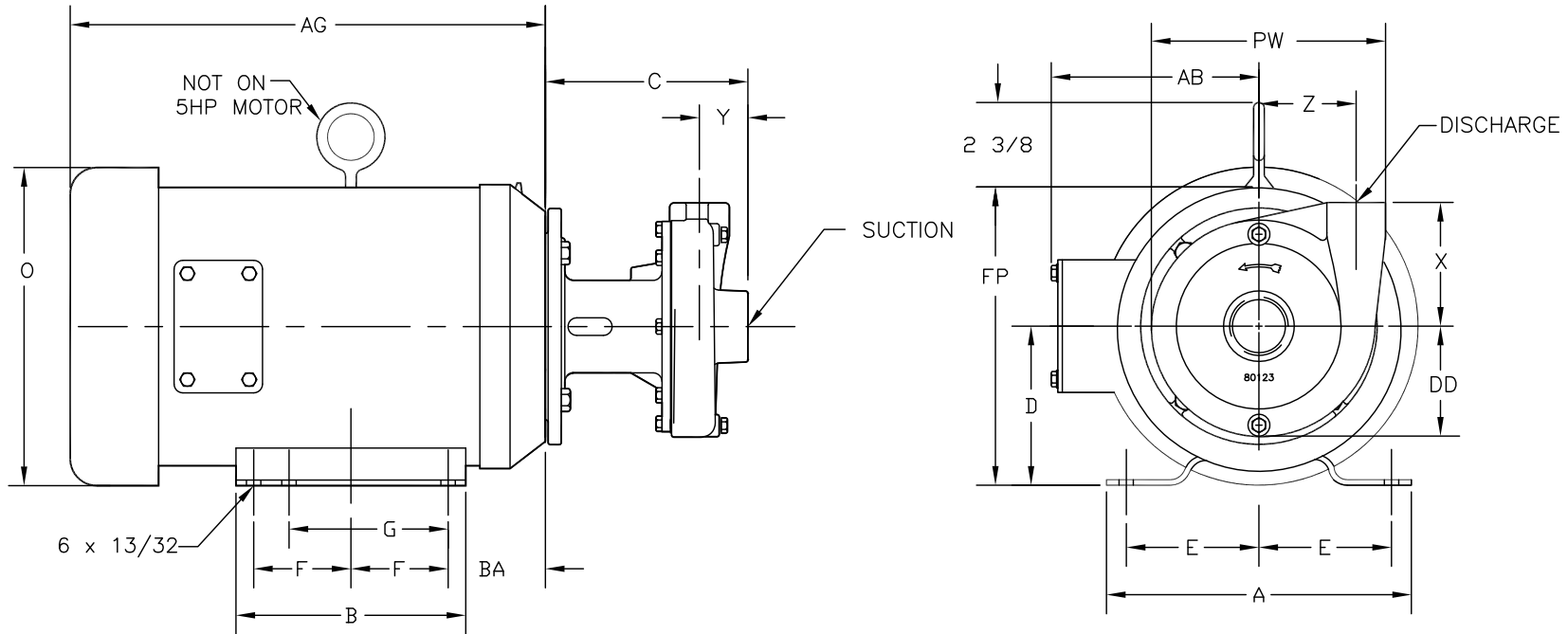
REV.

-



PRICE PUMP CO.

FACTORY FAX TRANSMITTAL DRAWING



184C MOTOR END DIMENSIONS

HP	MOTOR	AG	AB	FP	O	D	BA	E	F	G	A	B
5	1655BA	13 1/2	6 7/8	8 1/2	8 5/8	4 1/2	2 7/8	3 3/4	2 3/4	4 1/2	8 5/8	6 1/2
7-1/2	3763BA	15										
10	3811BA	14 1/2	8	10	10 3/16	5 1/4	2 5/8	4 1/4	3 1/2	5 1/2	9 1/2	8

NOTE:

ALL DIMENSIONS HAVE BEEN ROUNDED TO THE NEAREST 1/16".

PUMP END DIMENSIONS

	C	DD	PW	X	Z	J	SUCTION	DISCHG
CD100 SS	5 3/4	3 1/8	6 5/8	3 1/2	2 3/4	6 1/4	1 1/4	1"
CD150 SS	6 13/16	4 1/16	7 15/16	3 13/16	3 1/16	7 5/16	2"	1 1/2

21775 Eighth Street East
 Sonoma, CA 95476 (707) 938-8441
 707-FAX 938-0764