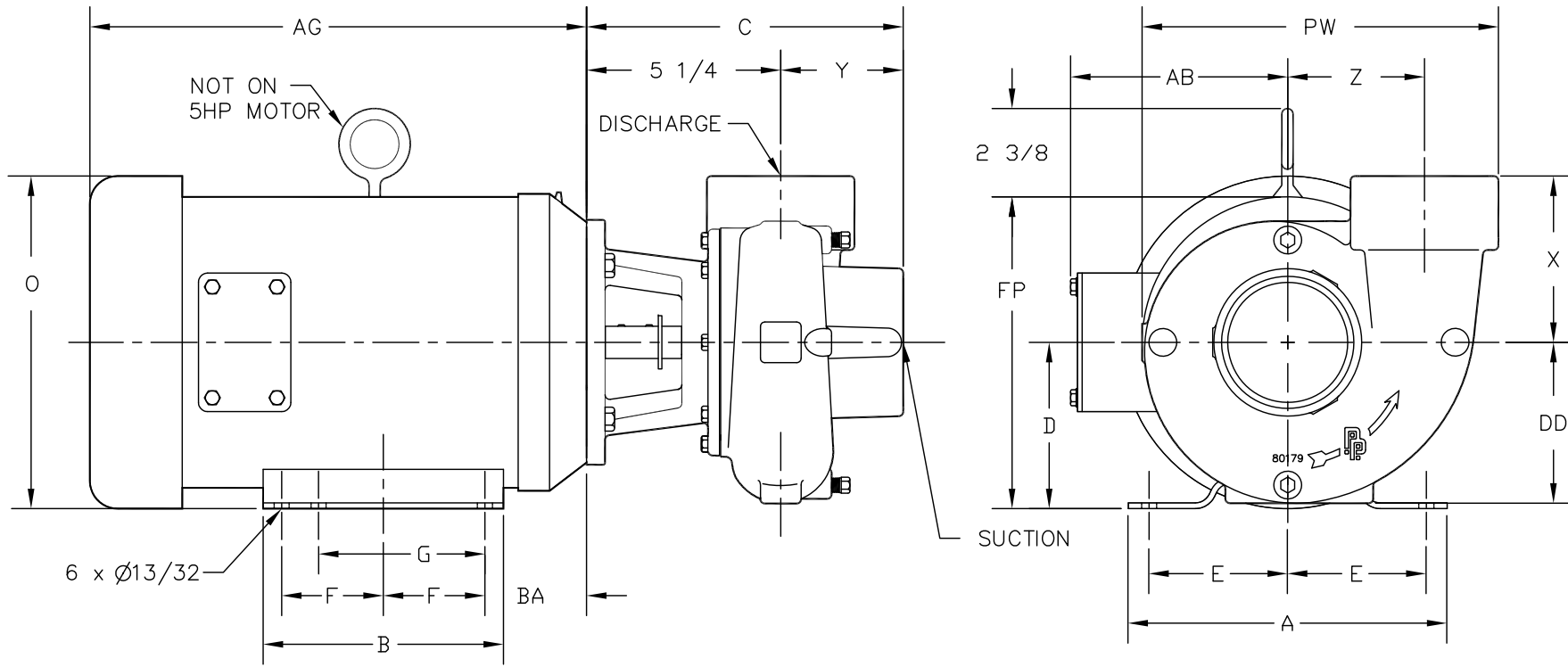


DESCRIPTION
RC200/300 AI&AB W/ 184C MOTOR

REF. NO.
O-RC184C

DATE
11-21-91

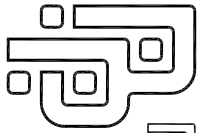
REV.
C



| | PUMP END DIMENSIONS | | | | | | | |
|-------|---------------------|--------|-------|---------|-------|-------|---------|-----------|
| | C | Y | PW | Z | X | DD | SUCTION | DISCHARGE |
| RC200 | 8 1/8 | 2 7/8 | 7 1/8 | 2 1/2 | 3 3/4 | 3 1/2 | 2" NPT | 2" NPT |
| RC300 | 8 9/16 | 3 5/16 | 9 5/8 | 3 11/16 | 4 1/2 | 4 3/8 | 3" NPT | 3" NPT |

| HP | MOTOR | 184C MOTOR END DIMENSIONS | | | | | | | | | | |
|-------|--------|---------------------------|-------|-------|--------|-------|-------|-------|-------|-------|-------|-------|
| | | AG | AB | FP | O | D | BA | E | F | G | A | B |
| 5 | 1655BA | 13 1/2 | 6 7/8 | 8 1/2 | 8 5/8 | 4 1/2 | 2 7/8 | 3 3/4 | 2 3/4 | 4 1/2 | 8 5/8 | 6 1/2 |
| 7-1/2 | 3763BA | 15 | | | | | | | | | | |
| 10 | 3811BA | 14 1/2 | 8 | 10 | 10 1/8 | 5 1/4 | 2 5/6 | 4 1/4 | 3 1/2 | 5 1/2 | 9 1/2 | 8 |

NOTE: ALL DIMENSIONS ARE ROUNDED TO THE NEAREST 1/8 INCH.
FOR ENGINEERING PURPOSES PUMP RC300 HAS BEEN USED TO CREATE DRAWING.



PRICE PUMP CO.

FACTORY FAX TRANSMITTAL DRAWING

21775 Eighth Street East
Sonoma, CA 95476 (707) 938-8441
707-FAX 938-0764