



PRICE PUMP®

TYPE F/P

PUMP VOLUTE / IMPELLER MATERIALS

- (AI) – CAST IRON / CAST IRON
- (BF) – CAST IRON / BRONZE
- (AB) – BRONZE / BRONZE

APPLICATIONS

- STREET SWEEPER PUMPS
- ENGINE COOLANT PUMPS
- CARPET CLEANERS
- BILGE PUMPS
- BAIT TANK PUMPS
- BRINE CIRCULATION
- CIRCULATION / FILTRATION
- GENERAL PURPOSE PUMPS

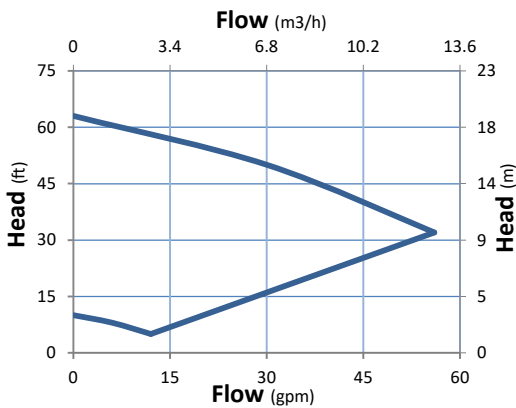


STANDARD SPECIFICATIONS

- F/P50 DISCHARGE 1/2" FNPT, SUCTION 3/4" FNPT
- F/P75 DISCHARGE 3/4" FNPT, SUCTION 1" FNPT
- MAXIMUM IMPELLER DIAMETER (F/P50-95): 3.88"

MECHANICAL SEAL TYPES

- SINGLE, 5/8" TYPE 6A BUNA, CARBON vs. CERAMIC (F/P50-75)
- NOTE: ADDITIONAL SEAL OPTIONS AVAILABLE
- GASKET: VEGETABLE FIBER

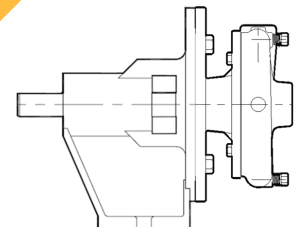


FEATURES

- PUMP DESIGN – COMPACT, CLOSE COUPLED
- PUMP END – LIGHTWEIGHT DESIGN
- COST – ECONOMICAL DESIGN

OPTIONAL CONFIGURATIONS

- STREET SWEEPER MOUNTING
- POWER FRAME MOUNTING
- LONG-COUPLED MOUNTING



2203 SMEED PARKWAY CALDWELL, ID 83605

MAIN (208) 402-6871

TOLL FREE (800) 345-7867

EMAIL SALES@PRICEPUMP.COM

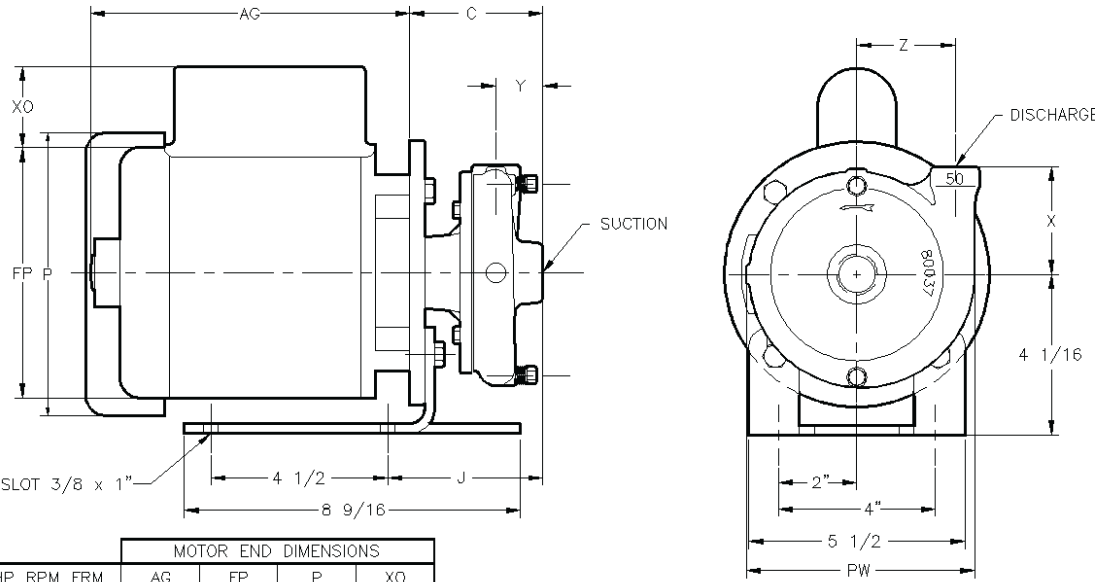
PRICEPUMP.COM





PRICE PUMP®

TYPE F/P



MOTOR END DIMENSIONS

HP	RPM	FRM	AG	FP	P	X0
1/3	3600	56J	8 3/4	7 3/16	6 5/8	2 1/4
1/2	3600	56J	8 3/4	7 3/16	6 5/8	2 1/4
3/4	3600	56J	9 1/8	7 3/16	6 5/8	2 1/4
1	3600	56J	9 3/4	7 3/16	6 5/8	2 1/4
1 1/2	3600	56J	10 1/4	7 3/16	6 5/8	2 1/4
2	3600	56J	10 3/4	7 3/16	6 5/8	2 1/4

NOTE:
MOTOR DIMENSIONS WILL VARY BY MODEL AND MAKE.
DIMENSIONS ARE TO BE USED FOR REFERENCE ONLY.
ALL DIMENSIONS ARE ROUNDED TO THE NEAREST 1/8".

PUMP END DIMENSIONS

MODEL	PUMP END DIMENSIONS						THREADED NPT		
	C	DD	PW	J	X	Y	Z	DISCH.	SUC.
F50	3 3/8	2 7/8	5 13/16	3 15/16	2 3/4	1 3/16	2 1/2	1/2"	3/4"
F75	3 11/16	2 15/16	6 1/4	4 1/4	3 1/4	1 1/2	2 1/2	3/4"	1"

DIMENSIONS

MATERIALS OF CONSTRUCTION

P	AI	BF	AB
VOLUTE	CAST IRON	CAST IRON	BRONZE
IMPELLER	CAST IRON	BRONZE	BRONZE
BRACKET	CAST IRON	CAST IRON	BRONZE
GASKET	VEG. FIBER	VEG. FIBER	VEG. FIBER
FASTENERS	PLATED STEEL	PLATED STEEL	18-8 SS

TECHNICAL INFORMATION

MAX FLOW	120 GPM (27.3 M3/HR)
MAX HEAD	100 FEET (30.5 M)
MIN. RECOMMENDED FLOW	5 GPM (1.1 M3/HR)
MAX SOLID SIZE	0.180" (4.6 MM)
MAX WORKING PRESSURE	75 PSI (5.2 BAR) (TYPE 6A SEAL)
MAX TEMP.	200°F (93°C)*

* TEMPERATURE LIMITS ARE BASED ON STANDARD SEAL AND GASKET MATERIALS, AND WILL VARY ACCORDING TO THE LIQUID BEING PUMPED.



2203 SMEED PARKWAY CALDWELL, ID 83605

MAIN
(208) 402-6871

TOLL FREE
(800) 345-7867

EMAIL
SALES@PRICEPUMP.COM

PRICEPUMP.COM

