



PRICE PUMP®

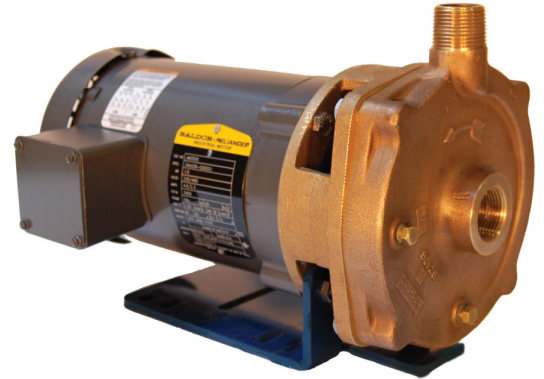
HP75/100

PUMP VOLUTE / IMPELLER MATERIALS

- HP75 (SC) – 316SS / CPVC
- HP75 (SS) – 316SS / 316SS
- HP75 (AB) – BRONZE / BRONZE
- HP100 (SC) – 316SS / CPVC
- HP100 (SS) – 316SS / 316SS
- HP100 (AB) – BRONZE / BRONZE

APPLICATIONS

- CHILLERS / LIQUID COOLING
- CHEMICAL PROCESSING
- BOOSTER PUMPS
- WATER PURIFICATION
- CIRCULATION / FILTRATION
- AIR CONDITIONING / HEAT RECOVERY



O-RING DESIGN

STANDARD SPECIFICATIONS

- HP75 DISCHARGE 3/4" FNPT, SUCTION 3/4" FNPT
- HP100 DISCHARGE 1" MNPT, SUCTION 1" FNPT
- MAXIMUM IMPELLER DIAMETER: 6.00"
- MOTOR: NEMA 56J FOOTLESS (MULTIPLE ENCLOSURES AVAILABLE)
- PUMP ENERGY INDEX: .746-.892

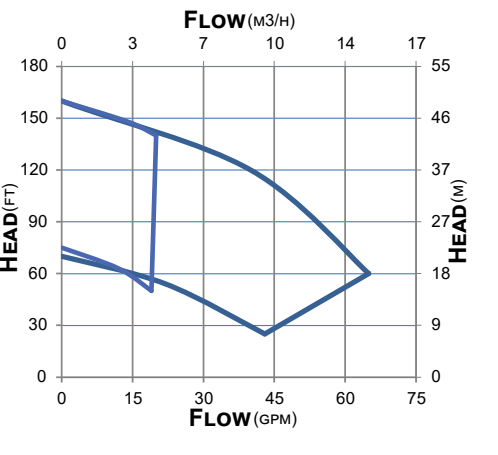
MECHANICAL SEAL TYPES

- SINGLE, 5/8" TYPE 21 VITON, CARBON VS. CERAMIC
- NOTE: ADDITIONAL SEAL OPTIONS AVAILABLE

O-RING MATERIAL: VITON (BUNA, EPR, NEOPRENE, & TEFLON OPTIONAL)

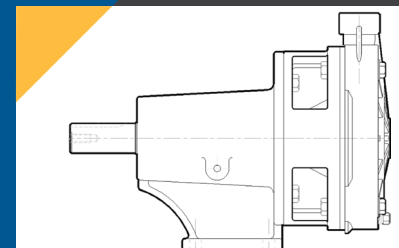
OPTIONAL CONFIGURATIONS

- POWER FRAME MOUNTING
- LONG-COUPLED MOUNTING



FEATURES

- VERSATILITY – MULTIPLE O-RING MATERIALS
- CONFIGURATION – COMPACT, CLOSE COUPLED DESIGN
- MOTOR SHAFT – THREADED



2203 SMEED PARKWAY CALDWELL, ID 83605

MAIN (208) 402-6871

TOLL FREE (800) 345-7867

EMAIL SALES@PRICEPUMP.COM

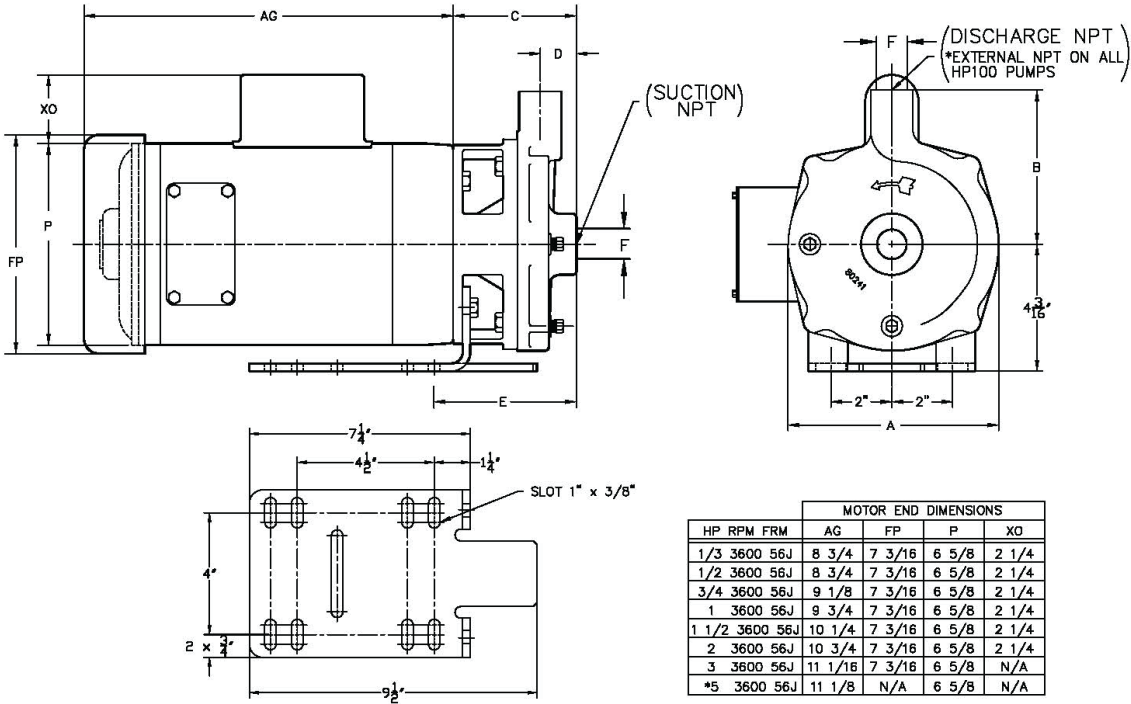
PRICEPUMP.COM





PRICE PUMP

HP75/100



HP	RPM	FRM	MOTOR END DIMENSIONS			
			AG	FP	P	XO
1/3	3600	56J	8 3/4	7 3/16	6 5/8	2 1/4
1/2	3600	56J	8 3/4	7 3/16	6 5/8	2 1/4
3/4	3600	56J	9 1/8	7 3/16	6 5/8	2 1/4
1	3600	56J	9 3/4	7 3/16	6 5/8	2 1/4
1 1/2	3600	56J	10 1/4	7 3/16	6 5/8	2 1/4
2	3600	56J	10 3/4	7 3/16	6 5/8	2 1/4
3	3600	56J	11 1/8	7 3/16	6 5/8	N/A
*5	3600	56J	11 1/8	N/A	6 5/8	N/A

MATERIAL	MODEL	A	B	C	D	E	F
SS	HP75SS/HP75SC	6 15/16	5 1/8	4 1/8	1 1/8	4 7/8	3/4
BRONZE	HP75AB	6 15/16	5 1/8	4 1/8	1 1/8	4 7/8	3/4
SS	HP100SS/HP100SC	6 15/16	5	4 1/8	1 1/8	4 7/8	1
BRONZE	HP100AB	6 15/16	5	4 1/8	1 1/8	4 7/8	1

NOTE:
MOTOR DIMENSIONS WILL VARY BY MODEL AND MAKE.
DIMENSIONS ARE TO BE USED FOR REFERENCE ONLY.
* 3PH OPEN DRIP PROOF ONLY

NOTE:
ALL DIMENSIONS ARE ROUNDED TO THE
NEAREST 1/16 INCH.

DIMENSIONS

Materials of Construction

HP	SC	SS	AB
Volute	316SS	316SS	Bronze
Impeller	CPVC	316SS	Bronze
Bracket	316SS	316SS	Bronze
Fasteners	316SS	316SS	18-8 SS
O-ring	Viton (Buna, EPR, Neoprene, & Teflon optional)		

Technical Information

Max Flow (CPVC Impeller)	20 GPM (4.5 m3/hr)
Max Flow (Metallic Impeller)	68 GPM (15.4 m3/hr)
Max Head	180 feet (55 m)
Min. Flow	0.5 GPM (0.12 m3/hr)
Max Solid Size	0.030" (0.76 mm)
Max Working Pressure (Type 2106 Seal)	150 PSI (10.3 bar)
Max Working Pressure (Type 21 Seal)	150 PSI (10.3 bar)
Max Working Pressure (Type 9 Seal)	350 PSI (24.1 bar)
Max Temp. (SC)	160°F (71°C)*
Max Temp. (SS, AB)	300°F (149°C)*

* TEMPERATURE LIMITS ARE BASED ON STANDARD SEAL AND GASKET MATERIALS, AND WILL VARY ACCORDING TO THE LIQUID BEING PUMPED.



2203 SMEED PARKWAY CALDWELL, ID 83605

MAIN
(208) 402-6871

TOLL FREE
(800) 345-7867

EMAIL
SALES@PRICEPUMP.COM

PRICEPUMP.COM

