



PRICE PUMP®

TYPE MS

PUMP VOLUTE / IMPELLER MATERIALS

- 1MS50 (SS) – 316SS / 316SS (ONE-STAGE)
- 2MS50 (SS) – 316SS / 316SS (TWO-STAGES)
- 3MS50 (SS) – 316SS / 316SS (THREE-STAGES)
- 4MS50 (SS) – 316SS / 316SS (FOUR-STAGES)
- 5MS50 (SS) – 316SS / 316SS (FIVE-STAGES)
- 6MS50 (SS) – 316SS / 316SS (SIX-STAGES)

APPLICATIONS

- DEIONIZED WATER
- LASER SYSTEM COOLING
- ULTRAFILTRATION SYSTEMS
- REVERSE OSMOSIS SYSTEMS
- BOOSTER PUMPS
- ACID HANDLING



STANDARD SPECIFICATIONS

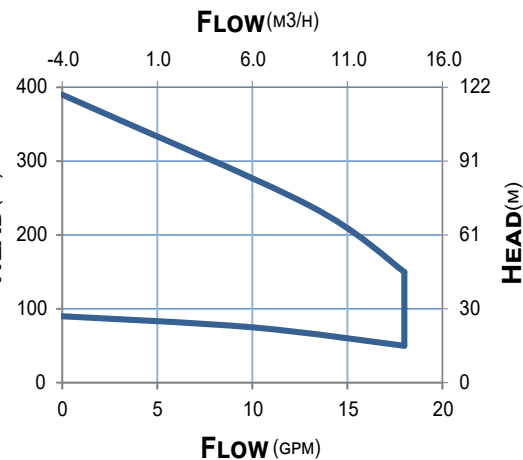
- MS50 DISCHARGE 1/2" FNPT, SUCTION 3/4" FNPT
- MAXIMUM IMPELLER DIAMETER: 4.12"
- STUB SHAFT: 5/8" 316SS (7/8" OPTIONAL)
- MOTOR: NEMA C FACE (MULTIPLE ENCLOSURES AVAILABLE)

MECHANICAL SEAL TYPES

- SINGLE, 5/8" TYPE 21 VITON, CARBON VS. CERAMIC
- NOTE: ADDITIONAL SEAL OPTIONS AVAILABLE
- BRACKET MATERIAL: 316SS
- O-RINGS: VITON, (CALL FOR OTHER OPTIONS)

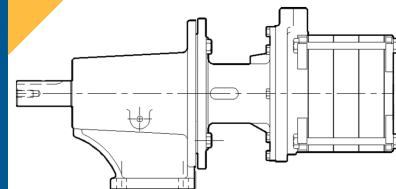
OPTIONAL CONFIGURATIONS

- AIR MOTOR: UP TO 5 HP
- POWER FRAME MOUNTING
- LONG-COUPLED MOUNTING



FEATURES

- PUMP DESIGN – COMPACT, CLOSE COUPLED
- DOUBLE SEAL – TYPE 21 AVAILABLE
- FLUSH OPTIONS – RECIRCULATING & INTERNAL
- STUB SHAFT – REPLACEABLE 316SS SHAFT



2203 SMEED PARKWAY CALDWELL, ID 83605

MAIN (208) 402-6871

TOLL FREE (800) 345-7867

EMAIL SALES@PRICEPUMP.COM

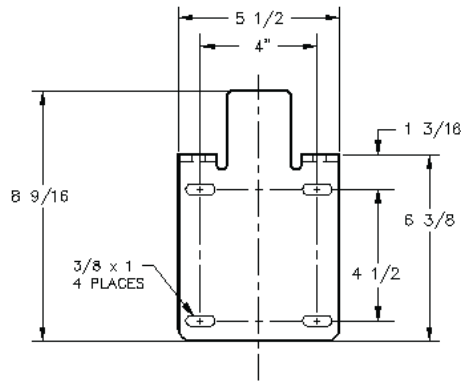
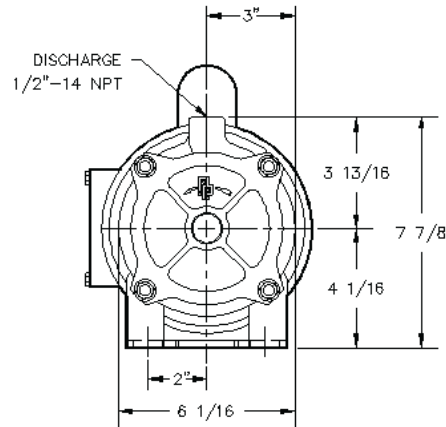
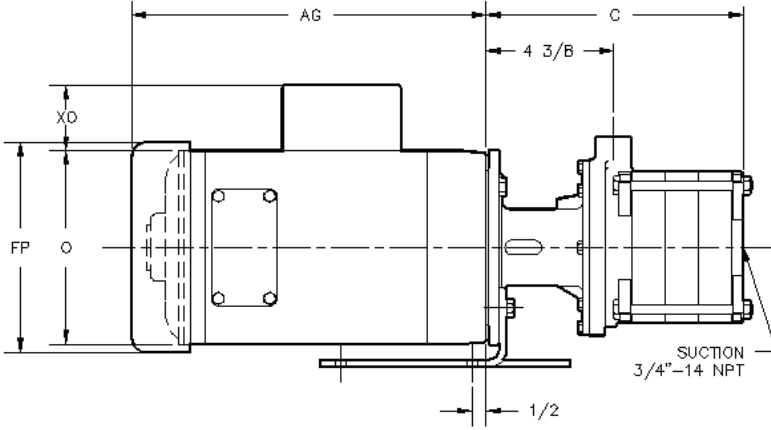
PRICEPUMP.COM





PRICE PUMP

TYPE MS



HP	RPM	FRM	MOTOR END DIMENSIONS			
			AG	FP	O	XO
1/4	1800	56C	7 3/4	6 1/8	5 3/8	2 1/16
1/3	1800	56C	8 1/4	6 1/8	5 3/8	2 1/16
1/2	1800	56C	8 3/4	6 1/8	5 3/8	2 1/16
1/3	3600	56C	8 1/2	6 1/8	5 3/8	2 1/16
1/2	3600	56C	8 3/4	6 1/8	5 3/8	2 1/16
3/4	3600	56C	9 1/4	6 1/8	5 3/8	2 1/16
1	3600	56C	9 3/4	6 1/8	5 3/8	2 1/16
1 1/2	3600	56C	10 1/2	7 3/16	6 7/8	2 1/4
2	3600	56C	11 1/8	7 3/16	6 7/8	2 1/4
3	3600	56C	12 3/8	7 3/16	6 7/8	2 1/4
5	3600	184C	13 5/8	8 1/2	7 7/8	2 1/4

PUMP LENGTH: (IN INCHES)		
MODEL	STAGES	C
1MS50-SS-33	1 STAGE	5 3/8
2MS50-SS-75	2 STAGE	6 1/2
3MS50-SS-100	3 STAGE	7 5/8
4MS50-SS-150	4 STAGE	8 3/4
5MS50-SS-200	5 STAGE	9 7/8
6MS50-SS-300	6 STAGE	11

NOTE:
MOTOR DIMENSIONS WILL VARY BY MODEL AND MAKE.
DIMENSIONS ARE TO BE USED FOR REFERENCE ONLY.

DIMENSIONS

MATERIALS OF CONSTRUCTION

MS50	SS
VOLUTE / SUCTION PLATE	316STAINLESS STEEL
IMPELLER	316STAINLESS STEEL
DIFFUSERS	316STAINLESS STEEL
STAGE SEPARATORS	316STAINLESS STEEL
BRACKET	316STAINLESS STEEL
O-RINGS	VITON
FASTENERS	316STAINLESS STEEL

TECHNICAL INFORMATION

MAX FLOW	18 GPM (4.1 M3/HR)	
MAX HEAD	390 FEET (119 M)	
MIN. FLOW	0.5 GPM (0.1 M3/HR)	
MAX SOLID SIZE	0.030" (0.76 MM)	
MAX WORKING PRESSURE	(TYPE 8 SEAL)	325 PSI (22.4 BAR)
	(TYPE 9 SEAL)	350 PSI (24.1 BAR)
	(TYPE 21 SEAL)	150 PSI (10.3 BAR)
	(TYPE 2106 SEAL)	150 PSI (10.3 BAR)
MAX TEMP.	300°F (149°C)*	

* TEMPERATURE LIMITS ARE BASED ON STANDARD SEAL AND GASKET MATERIALS, AND WILL VARY ACCORDING TO THE LIQUID BEING PUMPED.



2203 SMEED PARKWAY CALDWELL, ID 83605

MAIN
(208) 402-6871

TOLL FREE
(800) 345-7867

EMAIL
SALES@PRICEPUMP.COM

PRICEPUMP.COM

