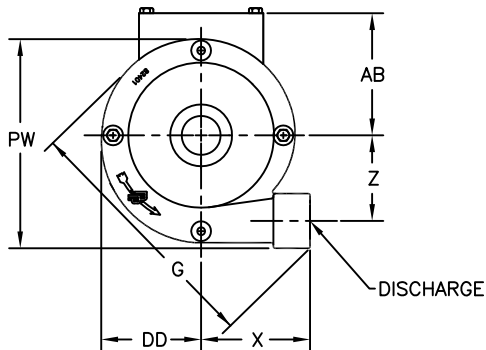
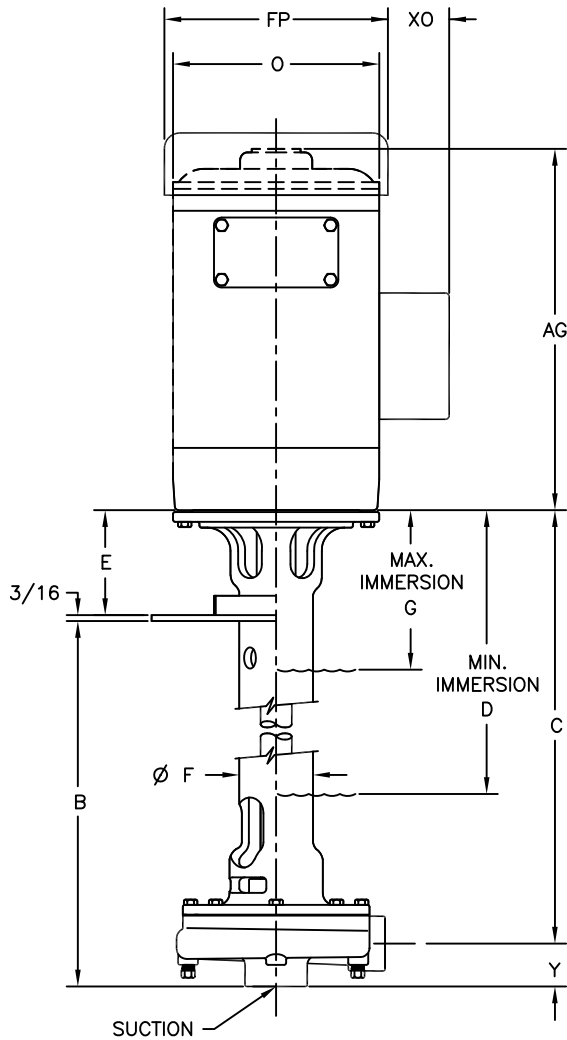


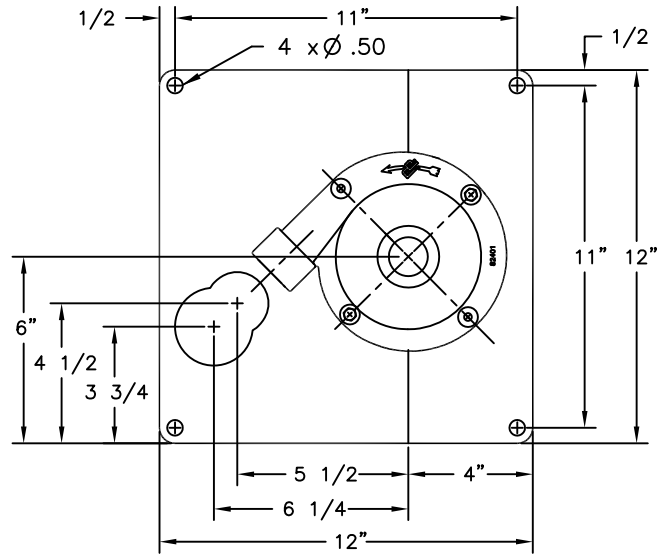
FACTORY FAX TRANSMITTAL DRAWING

 REV. E
 DATE 01/27/94
 REF. NO. O-CDVCI

 DESCRIPTION
 CD100/150 CI VERTICAL MOTOR PUMP ASSEMBLY


HP	RPM	FRM	MOTOR END DIMENSIONS			
			AG	FP	O	XO
1/4	1800	56C	7 3/4	6 1/8	5 3/8	2 1/16
1/3	1800	56C	8 1/4	6 1/8	5 3/8	2 1/16
1/2	1800	56C	8 3/4	6 1/8	5 3/8	2 1/16
1/3	3600	56C	8 1/2	6 1/8	5 3/8	2 1/16
1/2	3600	56C	8 3/4	6 1/8	5 3/8	2 1/16
3/4	3600	56C	9 1/4	6 1/8	5 3/8	2 1/16
1	3600	56C	9 3/4	6 1/8	5 3/8	2 1/16
1 1/2	3600	56C	10 1/2	7 3/16	6 7/8	2 1/4
2	3600	56C	11 1/8	7 3/16	6 7/8	2 1/4
3	3600	56C	12 3/8	7 3/16	6 7/8	2 1/4
5	3600	184C	13 5/8	8 1/2	7 7/8	2 1/4

NOTE:
 MOTOR DIMENSIONS WILL VARY BY MODEL AND MAKE;
 DIMENSIONS ARE TO BE USED FOR REFERENCE ONLY.



	COLUMN DIMENSIONS				IMMERSION	
	E	B	C	F	MIN. D	MAX. G
CD100-V CI 13"	3 3/8	11 3/4	13 15/16	2 3/8	9 1/8	5 1/8
CD100-V CS 20"	4	18 1/8	20 15/16	2 1/2	18 1/16	4 15/16
CD100-V CS 32"	4	30 1/8	32 15/16	2 1/2	30 1/16	4 15/16
CD100-V CS 44"	4	42 1/8	44 15/16	2 1/2	42 1/16	4 15/16
CD150-V CI 13"	3 3/8	12 11/16	14 1/16	2 3/8	9 1/8	5 1/8
CD150-V CS 20"	4	19 1/16	21 1/16	2 1/2	18 1/16	4 15/16
CD150-V CS 32"	4	31 1/16	33 1/16	2 1/2	30 1/16	4 15/16
CD150-V CS 44"	4	43 1/16	45 1/16	2 1/2	42 1/16	4 15/16

	PUMP END DIMENSIONS							
	G	DD	PW	X	Y	Z	SUCTION	DISCHG
CD100 CI	8 3/16	3 3/16	6 11/16	3 1/2	1 3/8	2 3/4	1 1/4	1"
CD150 CI	9 7/16	4 1/16	7 15/16	3 13/16	2 1/8	3 1/16	2"	1 1/2"

NOTE: ALL DIMENSIONS HAVE BEEN ROUNDED TO THE NEAREST 1/8 INCH.