

DESCRIPTION

CL150 SS POWER FRAME ASSEMBLY

REF. NO.

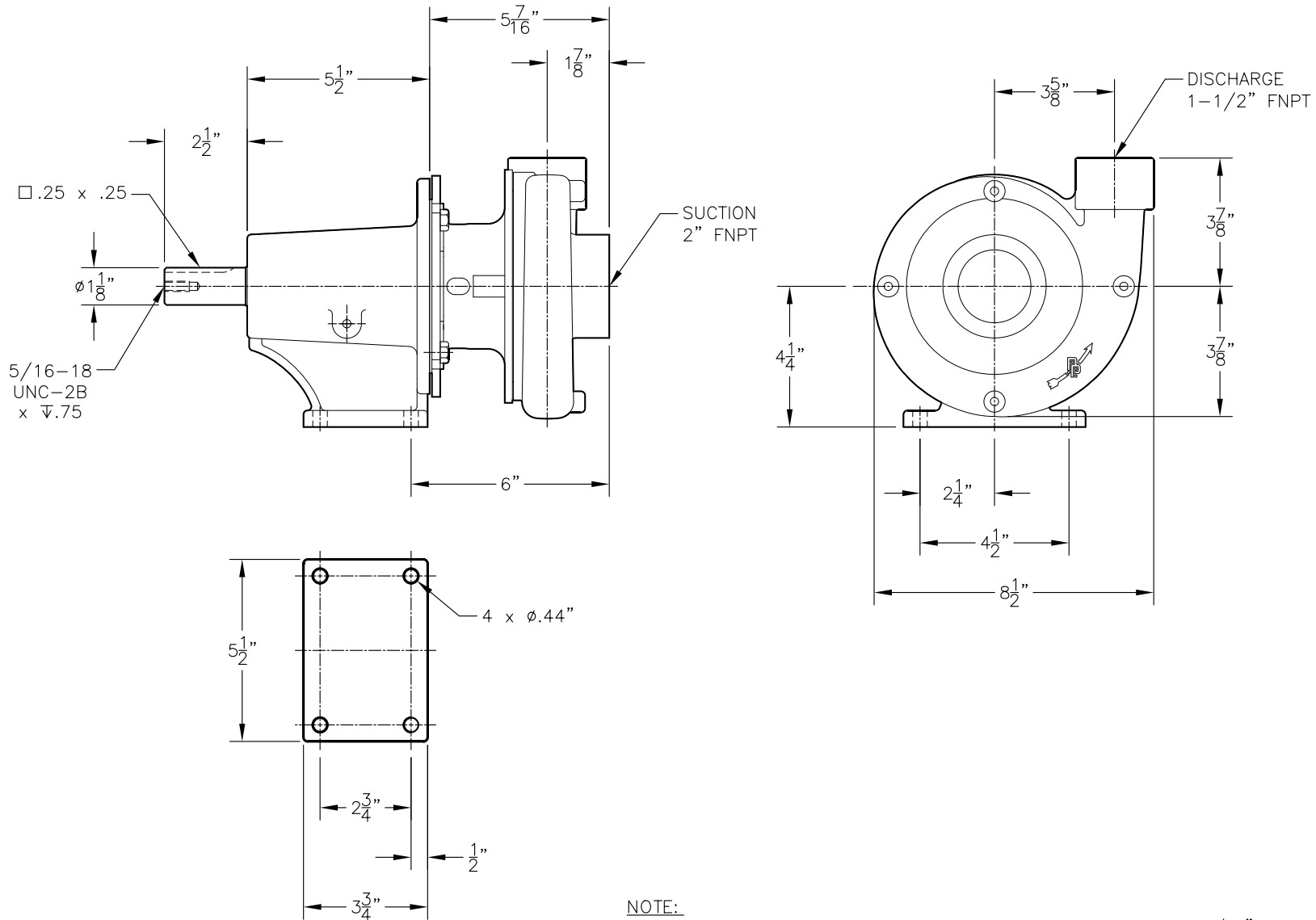
0-CLSSPF

DATE

5/9/05

REV.

-



NOTE:

ALL DIMENSIONS HAVE BEEN ROUNDED TO THE NEAREST 1/16".



PRICE® PUMPS CO.

FACTORY FAX TRANSMITTAL DRAWING

21775 Eighth Street East
 Sonoma, CA 95476-0329
 Phone: (707) 938-8441
 FAX: (707) 938-0764