



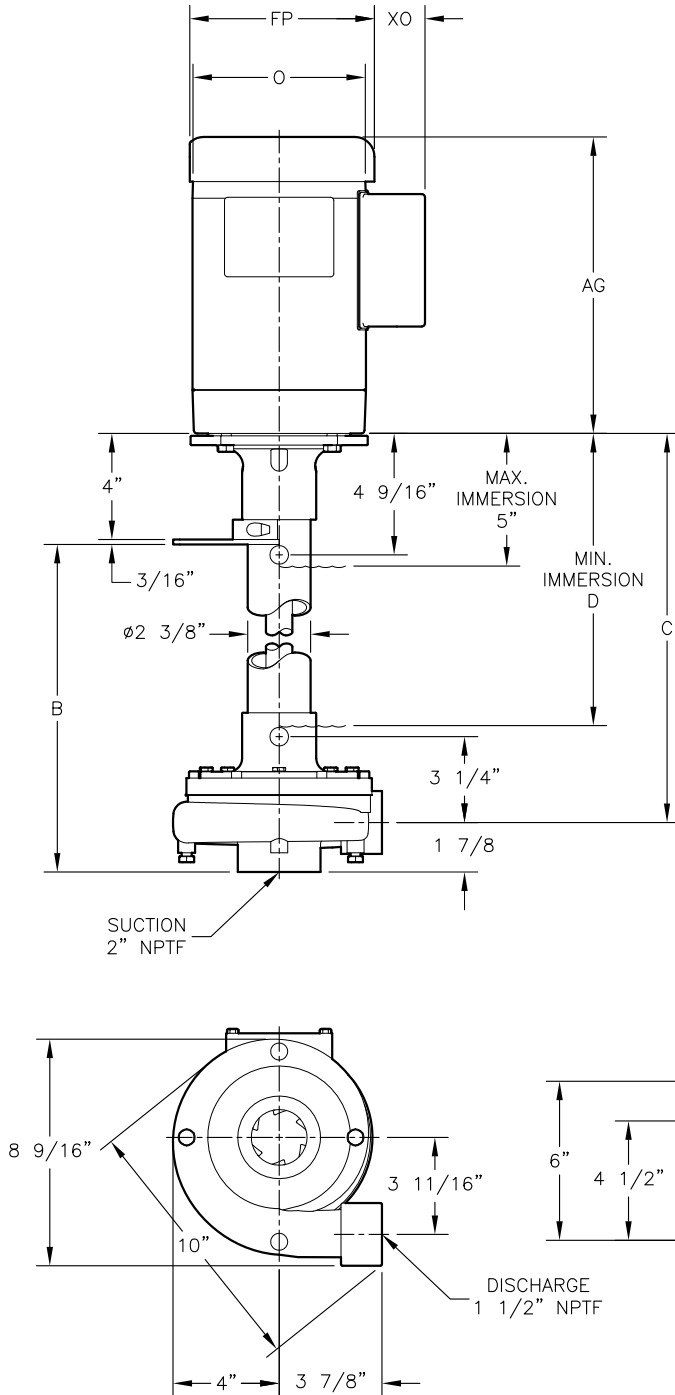
FACTORY FAX TRANSMITTAL DRAWING

REV. B

DATE 10/23/14

REF. NO. O-CLSSV

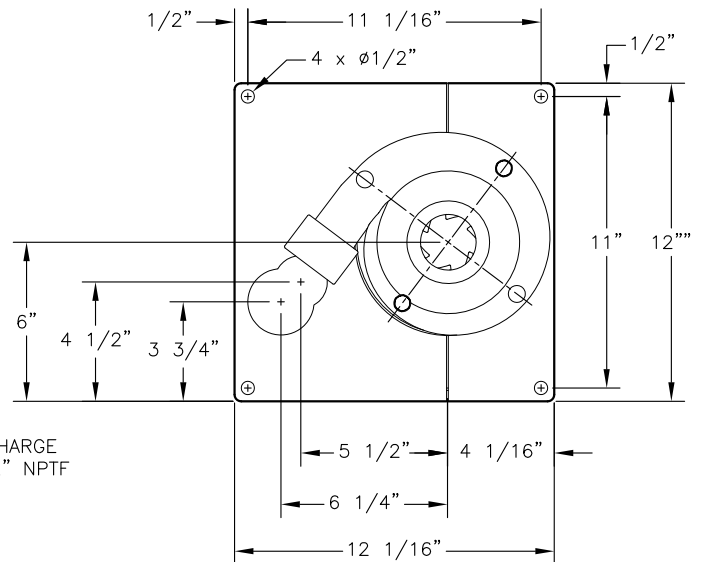
DESCRIPTION CL150 SS VERTICAL MOTOR PUMP ASSEMBLY



MOTOR END DIMENSIONS						
HP	RPM	FRM	AG	FP	O	XO
1/4	1800	56C	7 3/4	6 1/8	5 3/8	2 1/16
1/3	1800	56C	8 1/4	6 1/8	5 3/8	2 1/16
1/2	1800	56C	8 3/4	6 1/8	5 3/8	2 1/16
1/3	3600	56C	8 1/2	6 1/8	5 3/8	2 1/16
1/2	3600	56C	8 3/4	6 1/8	5 3/8	2 1/16
3/4	3600	56C	9 1/4	6 1/8	5 3/8	2 1/16
1	3600	56C	9 3/4	6 1/8	5 3/8	2 1/16
1 1/2	3600	56C	10 1/2	7 3/16	6 7/8	2 1/4
2	3600	56C	11 1/8	4 3/16	6 7/8	2 1/4
3	3600	56C	12 3/8	7 3/16	6 7/8	2 1/4
5	3600	184C	13 5/8	8 1/2	7 7/8	2 1/4
7 1/2	3600	184C	15 1/16	8 1/2	7 7/8	-

NOTE:  
 MOTOR DIMENSIONS WILL VARY BY MODEL AND MAKE;  
 DIMENSIONS ARE TO BE USED FOR REFERENCE ONLY.

COLUMN DIMENSIONS			IMMERSION
COLUMN	B	C	MIN. D
6.66"	6"	8 5/16"	4 11/16"
13.00"	12 5/16"	14 5/8"	11"
20.00"	19 5/16"	21 5/8"	18"
32.00"	31 5/16"	33 5/8"	30"
44.00"	43 5/16"	45 5/8"	42"



NOTE:  
 1. ALL DIMENSIONS HAVE BEEN ROUNDED TO THE NEAREST 1/16".