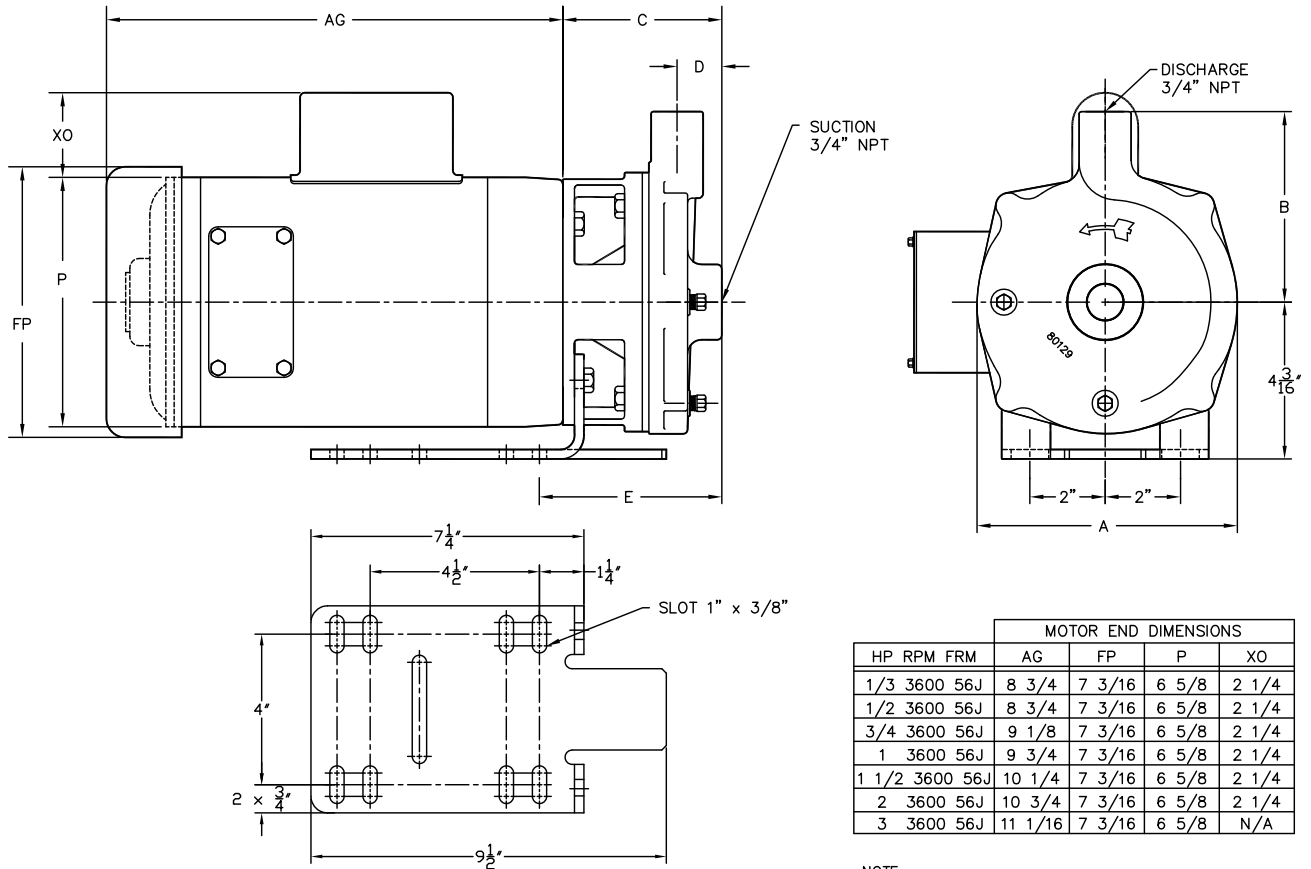




PRICE PUMP CO.

**HP75 (GASKET DESIGN)
OUTLINE DRAWING**

Effective: May 4, 2011



HP	RPM	FRM	MOTOR END DIMENSIONS			
			AG	FP	P	XO
1/3	3600	56J	8 3/4	7 3/16	6 5/8	2 1/4
1/2	3600	56J	8 3/4	7 3/16	6 5/8	2 1/4
3/4	3600	56J	9 1/8	7 3/16	6 5/8	2 1/4
1	3600	56J	9 3/4	7 3/16	6 5/8	2 1/4
1 1/2	3600	56J	10 1/4	7 3/16	6 5/8	2 1/4
2	3600	56J	10 3/4	7 3/16	6 5/8	2 1/4
3	3600	56J	11 1/16	7 3/16	6 5/8	N/A

NOTE:
MOTOR DIMENSIONS WILL VARY BY MODEL AND MAKE.
DIMENSIONS ARE TO BE USED FOR REFERENCE ONLY.

MATERIAL	MODEL	A	B	C	D	E
BRONZE	HP75BN/ HP75BS	6 15/16	5 1/8	4 1/8	1 3/16	4 7/8
KANIGEN	HP75KN/ HP75KS	6 15/16	5 1/8	4 1/8	1 3/16	4 7/8
CPVC	HP75CN/ HP75CS	7 1/8	4 11/16	4	1 3/16	4 5/8

NOTE:
ALL DIMENSIONS ARE ROUNDED TO THE
NEAREST 1/16 INCH.

Price® Pump Co.

21775 Eighth Street East * Sonoma, CA 95476-0329 * (707) 938-8441 * Fax (707) 938-0764