

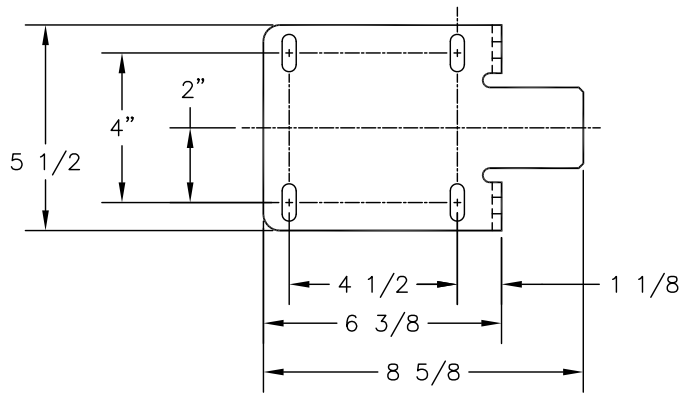
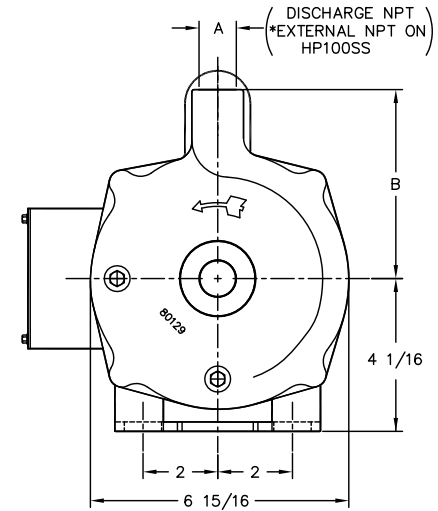
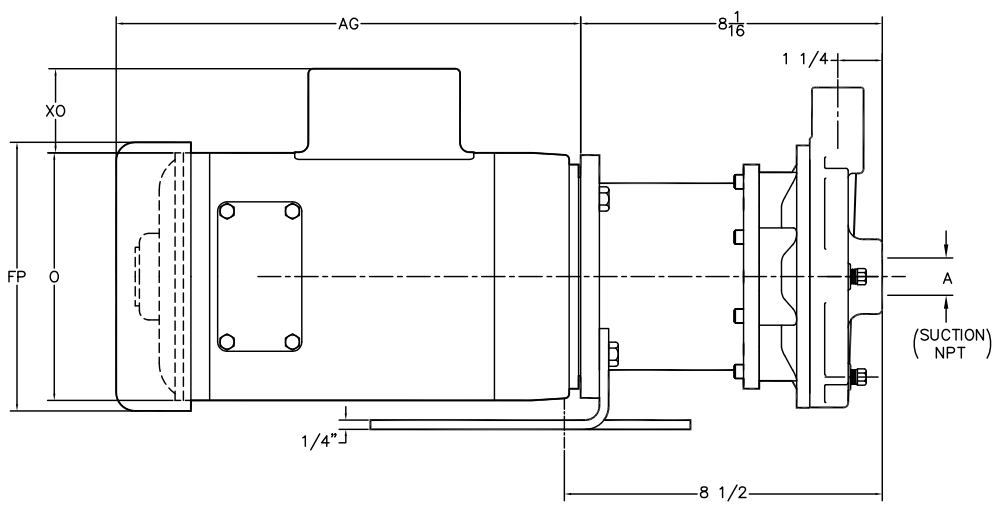
DESCRIPTION  
 HP75/100SS MAGDRIVE PUMP ASSEMBLY

REF. NO.  
 O-HPMD

DATE  
 4/20/09

REV.  
 A

**PRICE PUMPS CO.**  
 FACTORY FAX TRANSMITTAL DRAWING



MATERIAL	MODEL	A	B
SS	HP75SS	3/4	5 1/4
SS	HP100SS	1	5

NOTE:  
 ALL DIMENSIONS ARE ROUNDED TO THE NEAREST 1/16 INCH.

HP	RPM	FRM	MOTOR END DIMENSIONS			
			AG	FP	O	XO
1/4	1800	56C	7 3/4	6 1/8	5 3/8	2 1/16
1/3	1800	56C	8 1/4	6 1/8	5 3/8	2 1/16
1/2	1800	56C	8 3/4	6 1/8	5 3/8	2 1/16
1/3	3600	56C	8 1/2	6 1/8	5 3/8	2 1/16
1/2	3600	56C	8 3/4	6 1/8	5 3/8	2 1/16
3/4	3600	56C	9 1/4	6 1/8	5 3/8	2 1/16
1	3600	56C	9 3/4	6 1/8	5 3/8	2 1/16
1 1/2	3600	56C	10 1/2	7 3/16	6 7/8	2 1/4
2	3600	56C	11 1/8	7 3/16	6 7/8	2 1/4
3	3600	56C	12 3/8	7 3/16	6 7/8	2 1/4

NOTE:  
 MOTOR DIMENSIONS WILL VARY BY MODEL AND MAKE. DIMENSIONS ARE TO BE USED FOR REFERENCE ONLY.

21775 Eighth Street East  
 Sonoma, CA 95476-0329  
 Phone: (707) 938-8441  
 FAX: (707) 938-0764