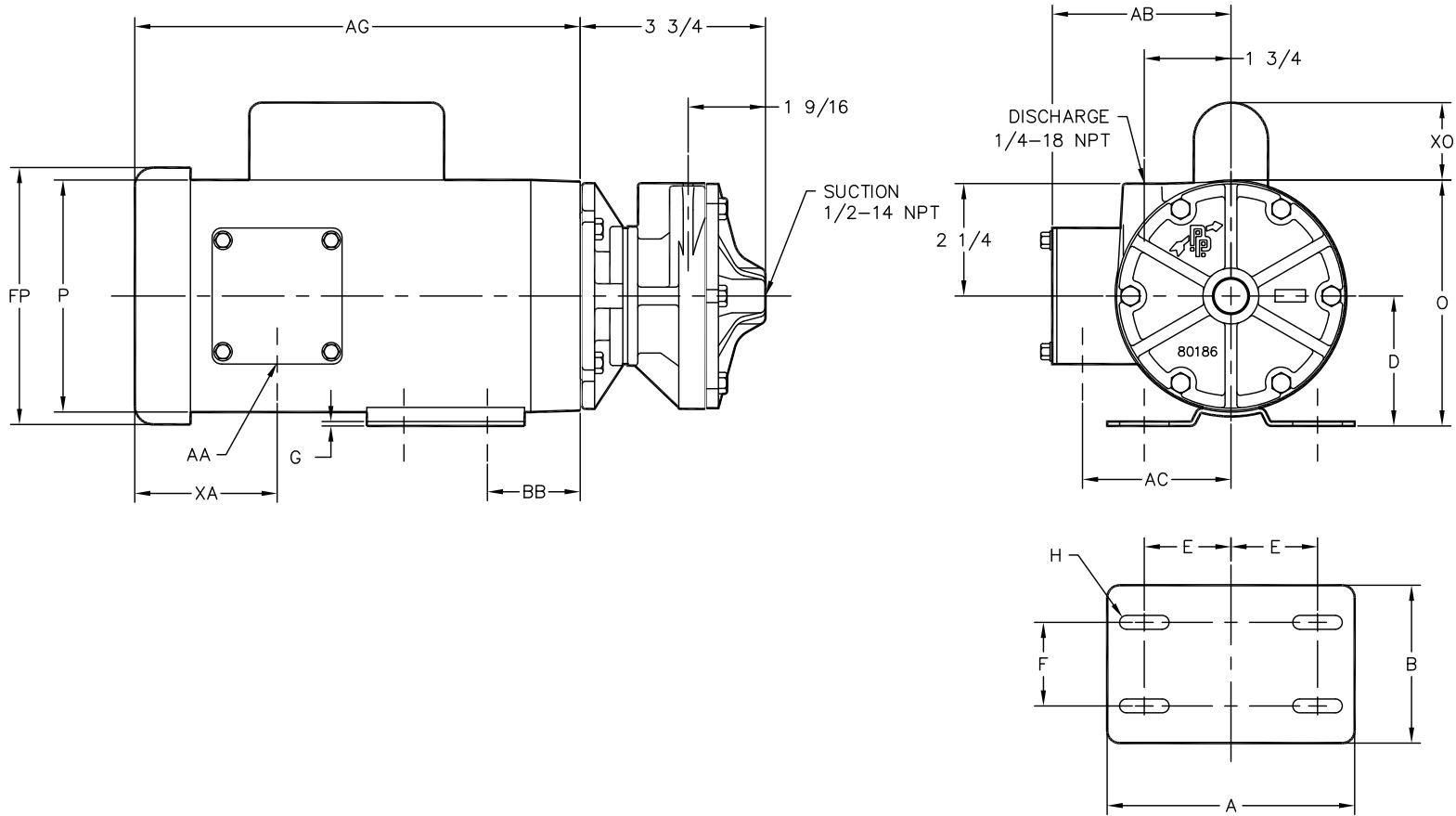


DESCRIPTION  
LT25 AB/SS CLOSE COUPLED MOTOR PUMP ASSEMBLY

REF. NO.  
O-LT25H

DATE  
2/17/04

REV.  
A



MOTOR FRAME DIMENSIONS

P/N	TYPE	PH	HP	AA	A	B	D	E	F	G	H (SLOT)	O	P	AB	AC	AG	BB	FP	XA	XO
1438	OPEN, DRIP PROOF	1/60	1/3	1/2-14 NPT	5 3/4	4	3	2 1/8	2 3/4	5/64	1 x 11/32	5 13/16	5 5/8	N/A	1 1/8	10	2 1/8	N/A	1 1/16	1 1/2
1608	TOTALLY-ENCLOSED	1/60	1/8	7/8 HOLE	5	3 3/16	2 5/8	1 3/8	1 11/16	1/8	1 x 9/32	5	4 5/8	4 11/16	3	8 1/4	1 7/8	5	3 1/8	1 9/16
1439	TOTALLY-ENCLOSED	1/60	1/3					1 3/4						4 1/16		9 1/4				N/A
1440	TOTALLY-ENCLOSED	3/60	1/3					N/A						N/A		N/A				
1441	EXPLOSION PROOF	1/60	1/2	3/4 NPT	5 3/4	4	3	2 1/8	2 3/4	1/8	1 x 11/32	6 1/8	5 3/4	6 1/2	5	12 1/8	2 3/8	N/A	2 3/8	N/A
1442	EXPLOSION PROOF	3/60	1/3													11 1/8				

- NOTES:  
 1. MOTOR FRAMES WILL VARY IN LOOK, PER PART NUMBER.  
 2. MOTOR P/N INDICATES PRICE PUMP CO. PART NUMBER, AND HAS NO SIMILARITY WITH MANUFACTURER PART NUMBERS.  
 3. ALL DIMENSIONS HAVE BEEN ROUNDED TO THE NEAREST 1/8 INCH.

**PRICE PUMP CO.**

FACTORY FAX TRANSMITTAL DRAWING

21775 Eighth Street East  
 Sonoma, CA 95476-0329  
 FAX: (707) 938-0764

(707) 938-8441