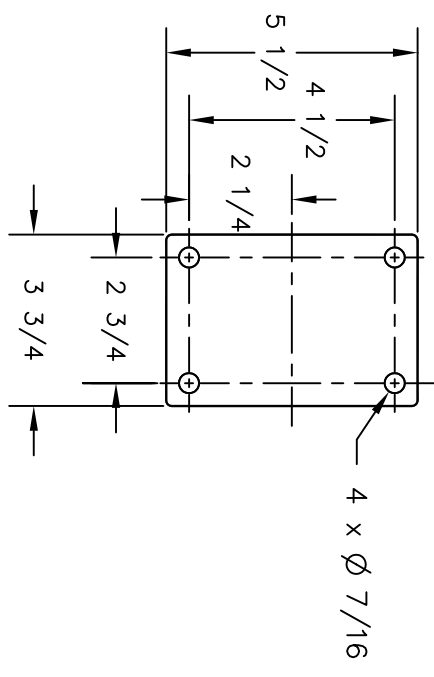
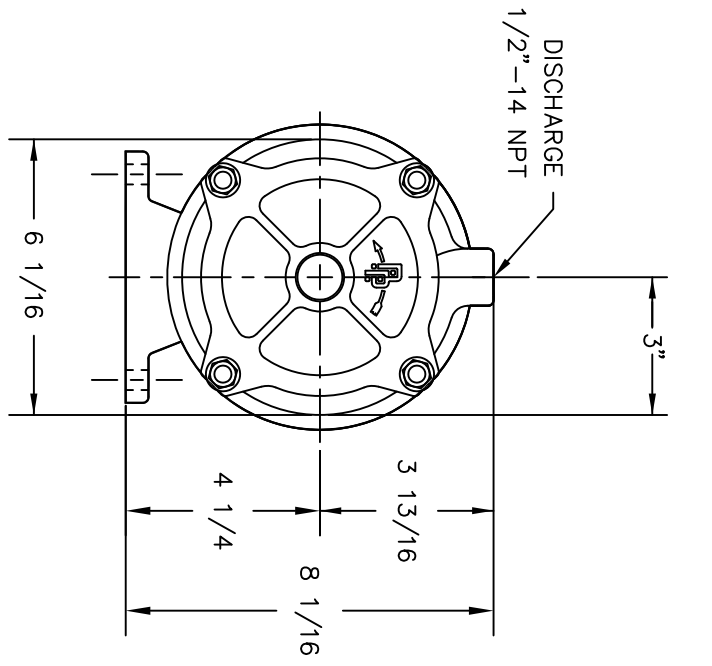
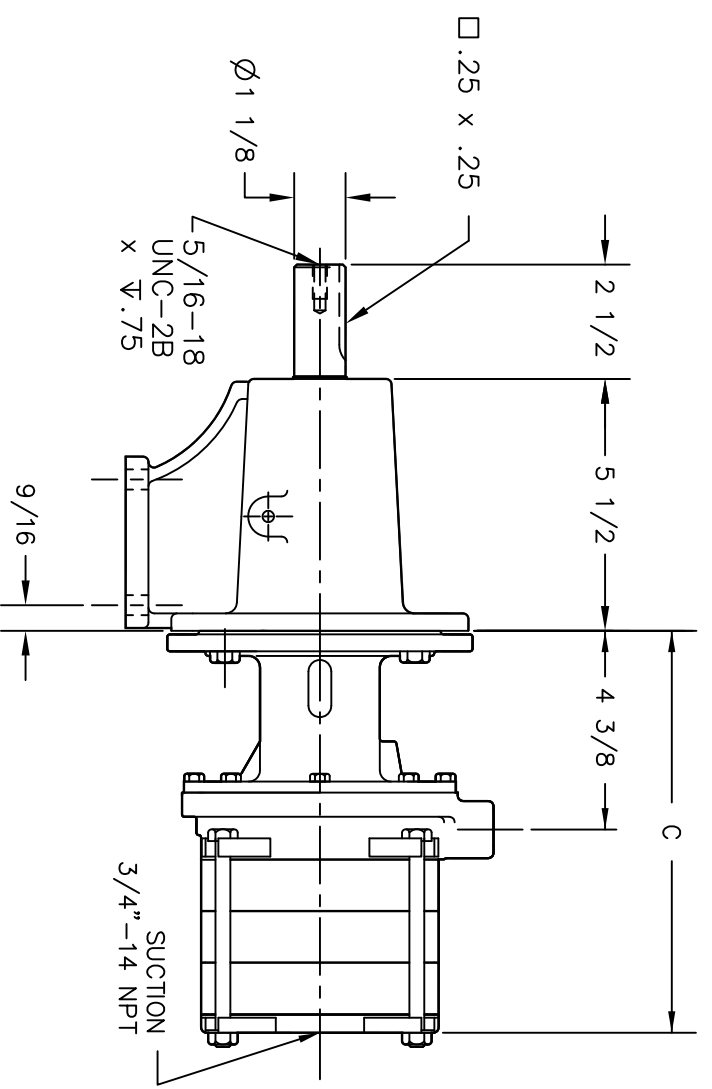


DESCRIPTION  
 MSS50SS POWER FRAME ASSEMBLY

REF. NO.  
 O-MSS50PF

DATE  
 9-20-91

REV.  
 B

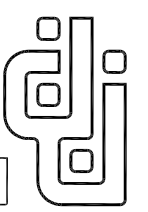


PUMP LENGTH: (IN INCHES)

MODEL	STAGES	C
1MSS50-SS-33	1 STAGE	5 3/8
2MSS50-SS-75	2 STAGE	6 1/2
3MSS50-SS-100	3 STAGE	7 5/8
4MSS50-SS-150	4 STAGE	8 3/4
5MSS50-SS-200	5 STAGE	9 7/8
6MSS50-SS-300	6 STAGE	11

NOTE: ALL DIMENSIONS ARE ROUNDED TO THE NEAREST 1/8 INCH.

19921027.1540



PRICE PUMP CO.

FACTORY FAX TRANSMITTAL DRAWING

#1 Pump Way P.O. Box Q  
 Sonoma, CA 95476 (707) 938-8441  
 707-FAX 938-0764