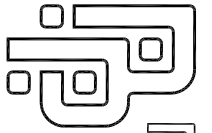
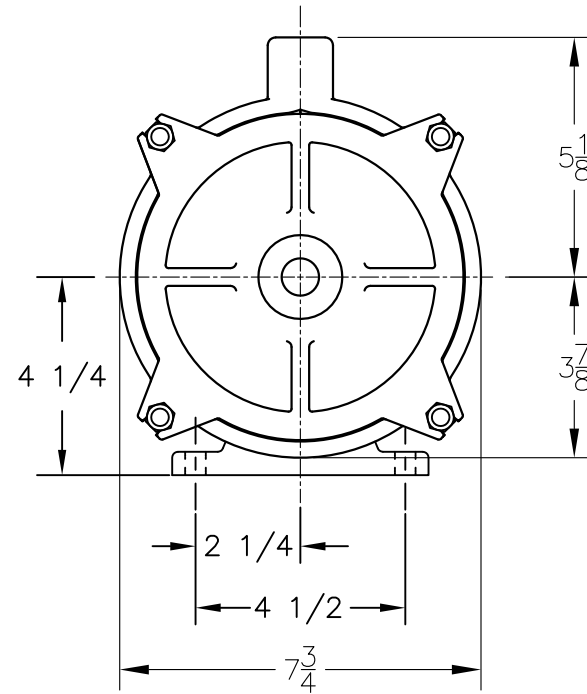
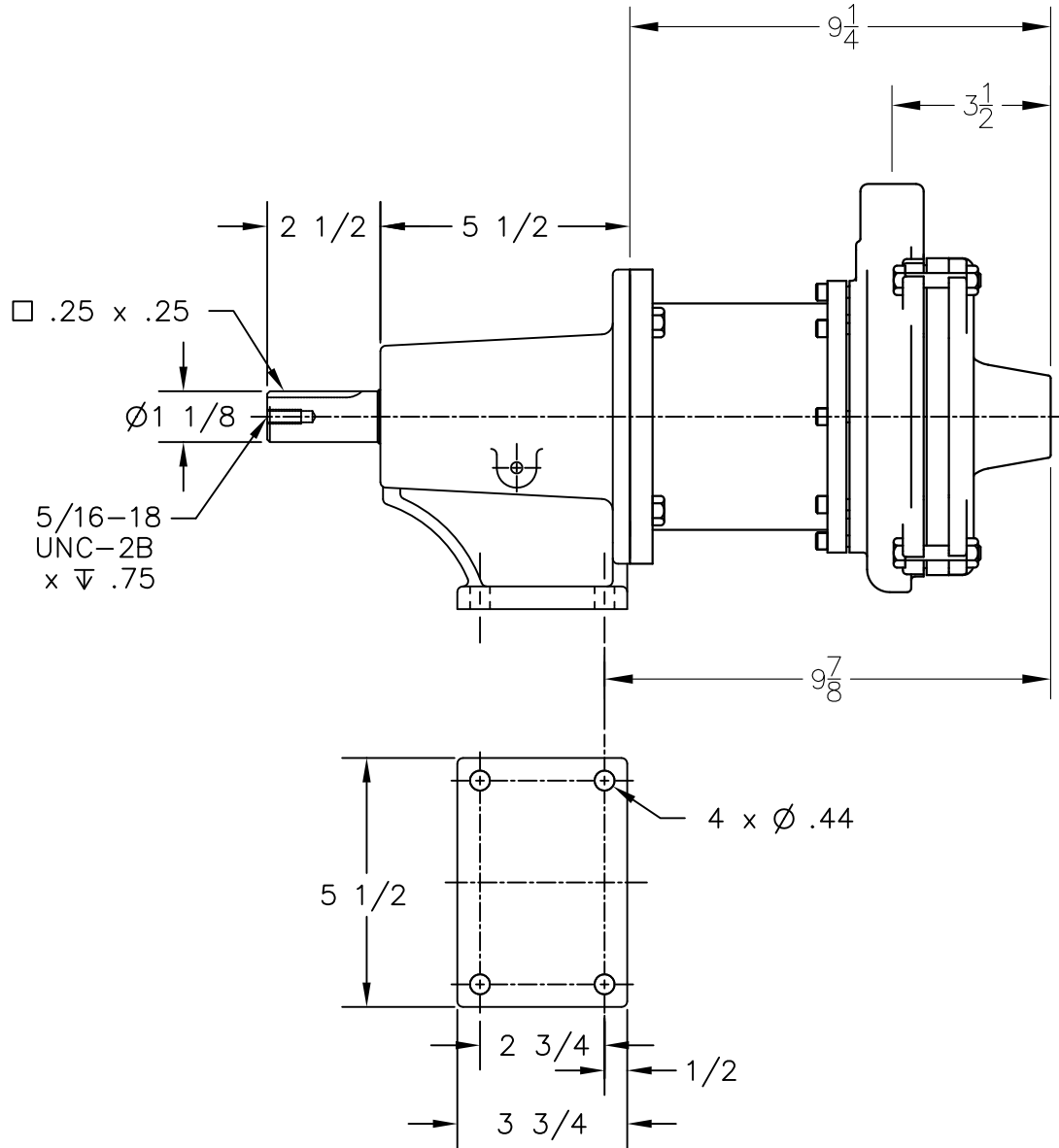


DESCRIPTION
2MS75 SS MAGDRIVE POWER FRAME ASSEMBLY OUTLINE

REF. NO.
O-MSMAGPF

DATE
9/30/13

REV.
-



PRICE PUMP CO.

FACTORY FAX TRANSMITTAL DRAWING

21775 Eighth Street East
 Sonoma, CA 95476 (707) 938-8441
 707-FAX 938-0764

NOTE: ALL DIMENSIONS HAVE BEEN ROUNDED TO THE NEAREST 1/8".