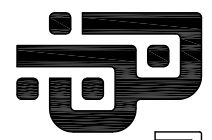


DESCRIPTION
2MS75 SS MAGDRIVE PUMP ASSEMBLY OUTLINE

REF. NO.
0-MSMAG

DATE
11/15/04

REV.
A

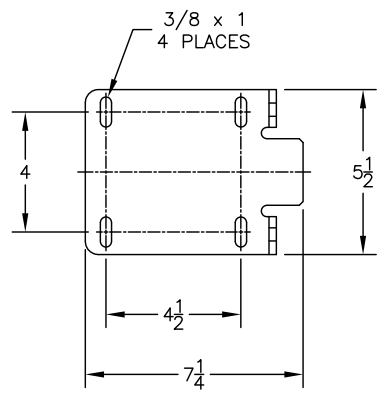
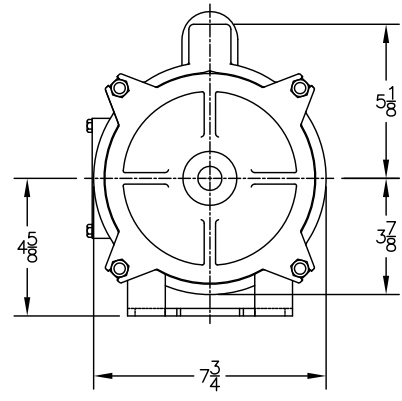
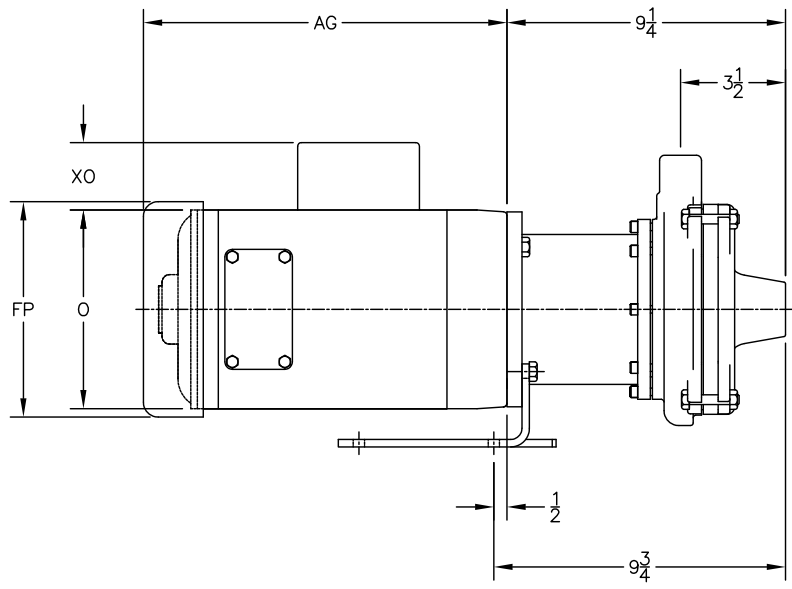


PRIME PUMP CO.

FACTORY FAX TRANSMITTAL DRAWING

21775 Eighth Street East
Sonoma, CA 95476-0329
FAX: (707) 938-0764

(707) 938-8441



NOTE:
MOTOR DIMENSIONS WILL VARY BY MODEL AND MAKE,
DIMENSIONS ARE TO BE USED FOR REFERENCE ONLY.

HP	RPM	FRM	MOTOR END DIMENSIONS			
			AG	FP	O	XO
1/4	1800	56C	7 3/4	6 1/8	5 3/8	2 1/16
1/3	1800	56C	8 1/4	6 1/8	5 3/8	2 1/16
1/2	1800	56C	8 3/4	6 1/8	5 3/8	2 1/16
3/4	1800	56C	9 1/4	6 1/4	5 3/8	2 1/16
1	1800	56C	10	6 1/4	5 3/8	2 1/16
2	3600	56C	11 1/8	7 3/16	6 7/8	2 1/4
3	3600	56C	12 3/8	7 3/16	6 7/8	2 1/4

NOTE: ALL DIMENSIONS HAVE BEEN ROUNDED TO THE NEAREST 1/8".