

DESCRIPTION

2MS75SS MAGDRIVE PUMP ASSEMBLY OUTLINE W/ 184C MOTOR

REF. NO.

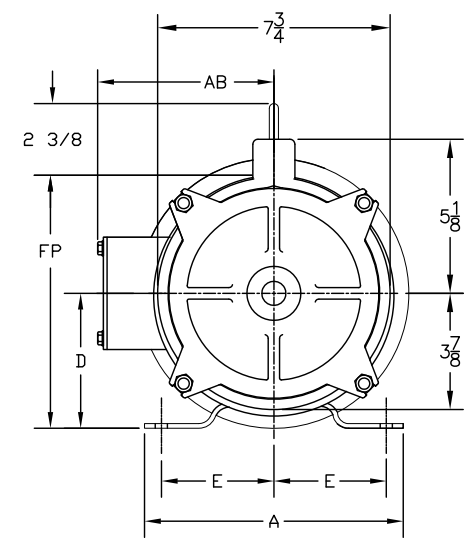
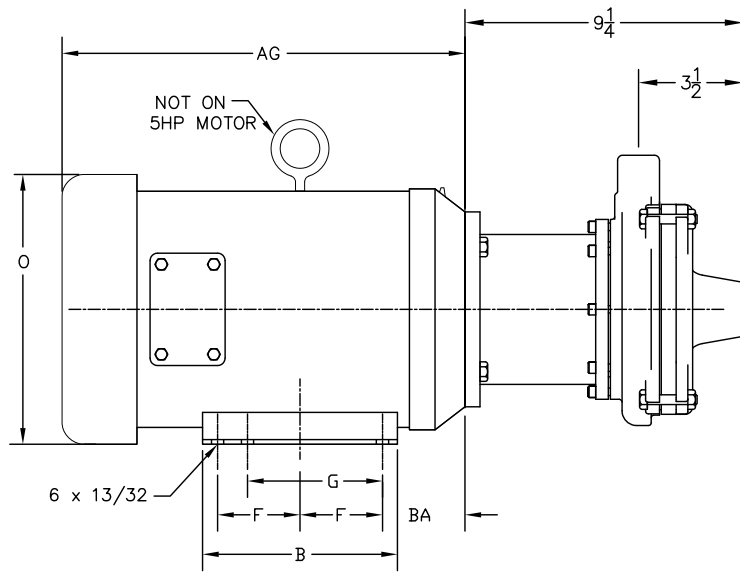
0-MSMAG-184C

DATE

11/15/12

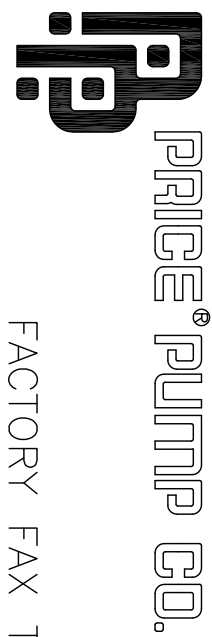
REV.

—



		184C MOTOR END DIMENSIONS										
HP	MOTOR	AG	AB	FP	O	D	BA	E	F	G	A	B
5	1655BA	13 1/2	6 7/8	8 1/2	8 5/8	4 1/2	2 7/8	3 3/4	2 3/4	4 1/2	8 5/8	6 1/2
7-1/2	3763BA	15										
10	3811BA	14 1/2	8	10	10 1/8	5 1/4	2 5/8	4 1/4	3 1/2	5 1/2	9 1/2	8

NOTE: ALL DIMENSIONS HAVE BEEN ROUNDED TO THE NEAREST 1/8".



FACTORY FAX TRANSMITTAL DRAWING

21775 Eighth Street East
 Sonoma, CA 95476-0329
 FAX: (707) 938-0764

(707) 938-8441