

DESCRIPTION

1-1/2" AOD ALUMINUM (BOLTED) (METRIC)

REF. NO.

M-AOD15B-A

DATE

9/9/13

REV.

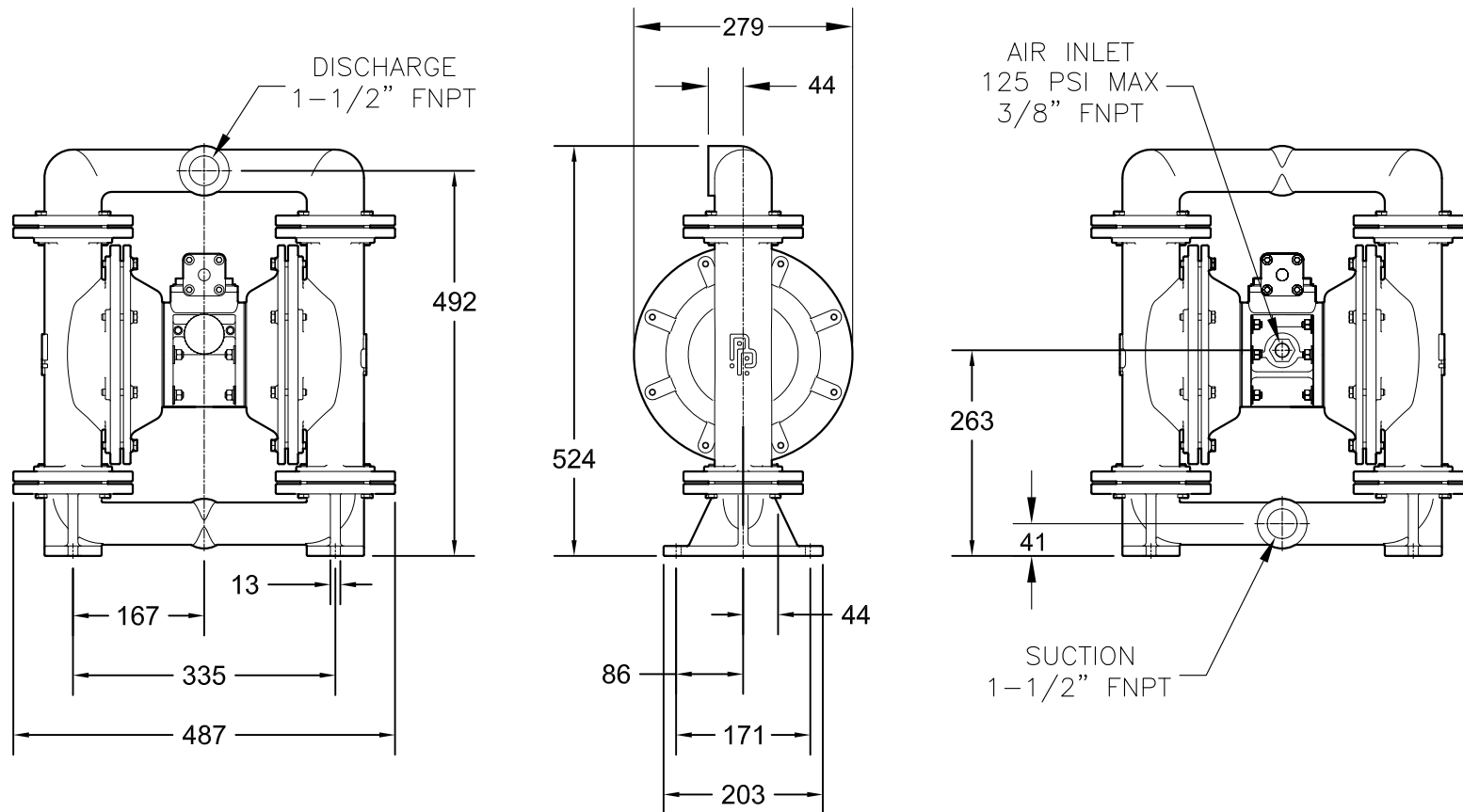
-



PRIME® PUMPS CO.

FACTORY FAX TRANSMITTAL DRAWING

21775 Eighth Street East  
Sonoma, CA 95476-0329  
Phone: (707) 938-8441  
FAX: (707) 938-0764



NOTE: ALL DIMENSIONS HAVE BEEN ROUNDED TO THE NEAREST 2mm