

DESCRIPTION
 1-1/2" AOD STAINLESS STEEL (BOLTED) (METRIC)

REF. NO.
 M-AOD15B-S

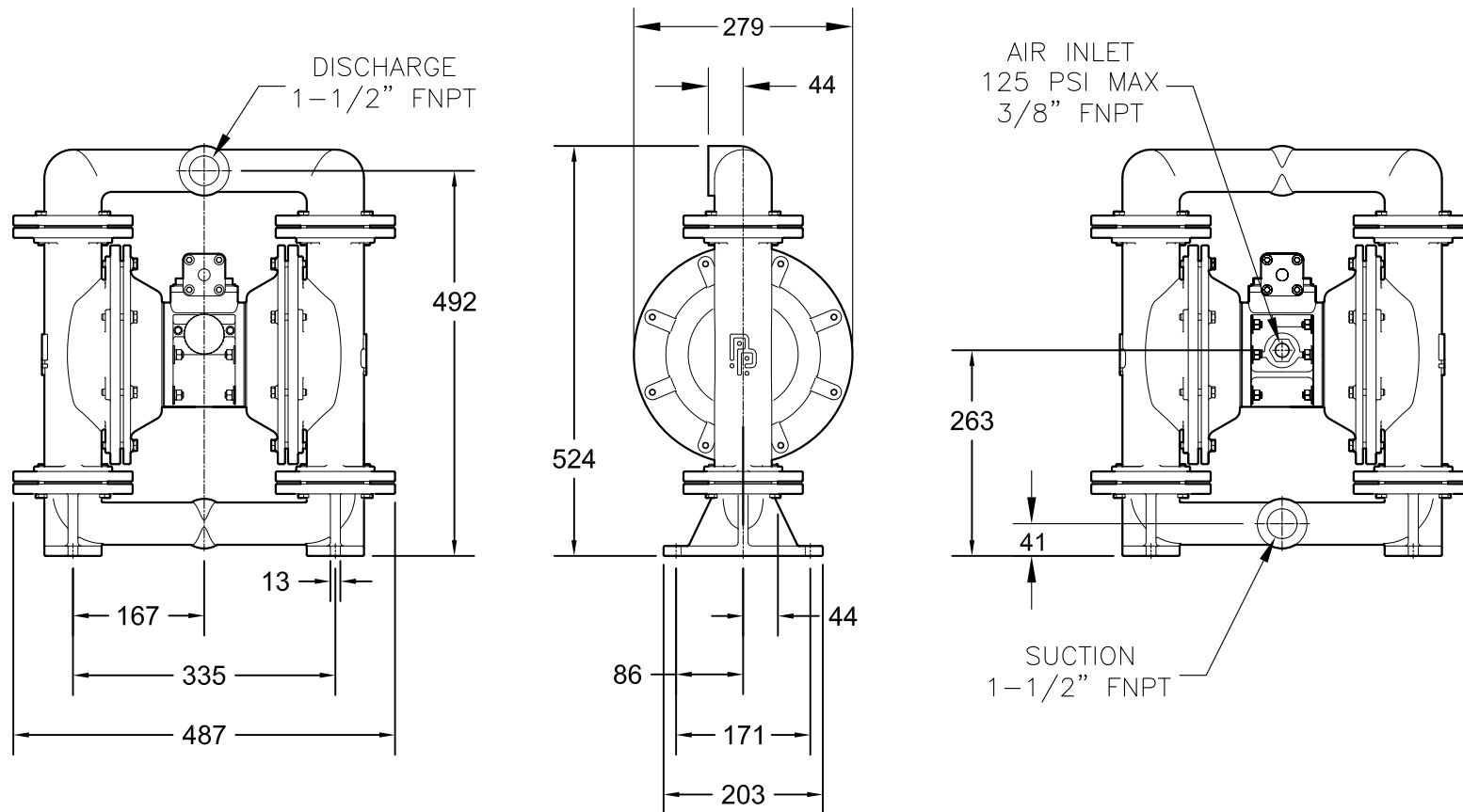
DATE
 9/9/13

REV.
 -

PR
 PRICE® PUMPS CO.

FACTORY FAX TRANSMITTAL DRAWING

21775 Eighth Street East
 Sonoma, CA 95476-0329
 Phone: (707) 938-8441
 FAX: (707) 938-0764



NOTE: ALL DIMENSIONS HAVE BEEN ROUNDED TO THE NEAREST 2mm