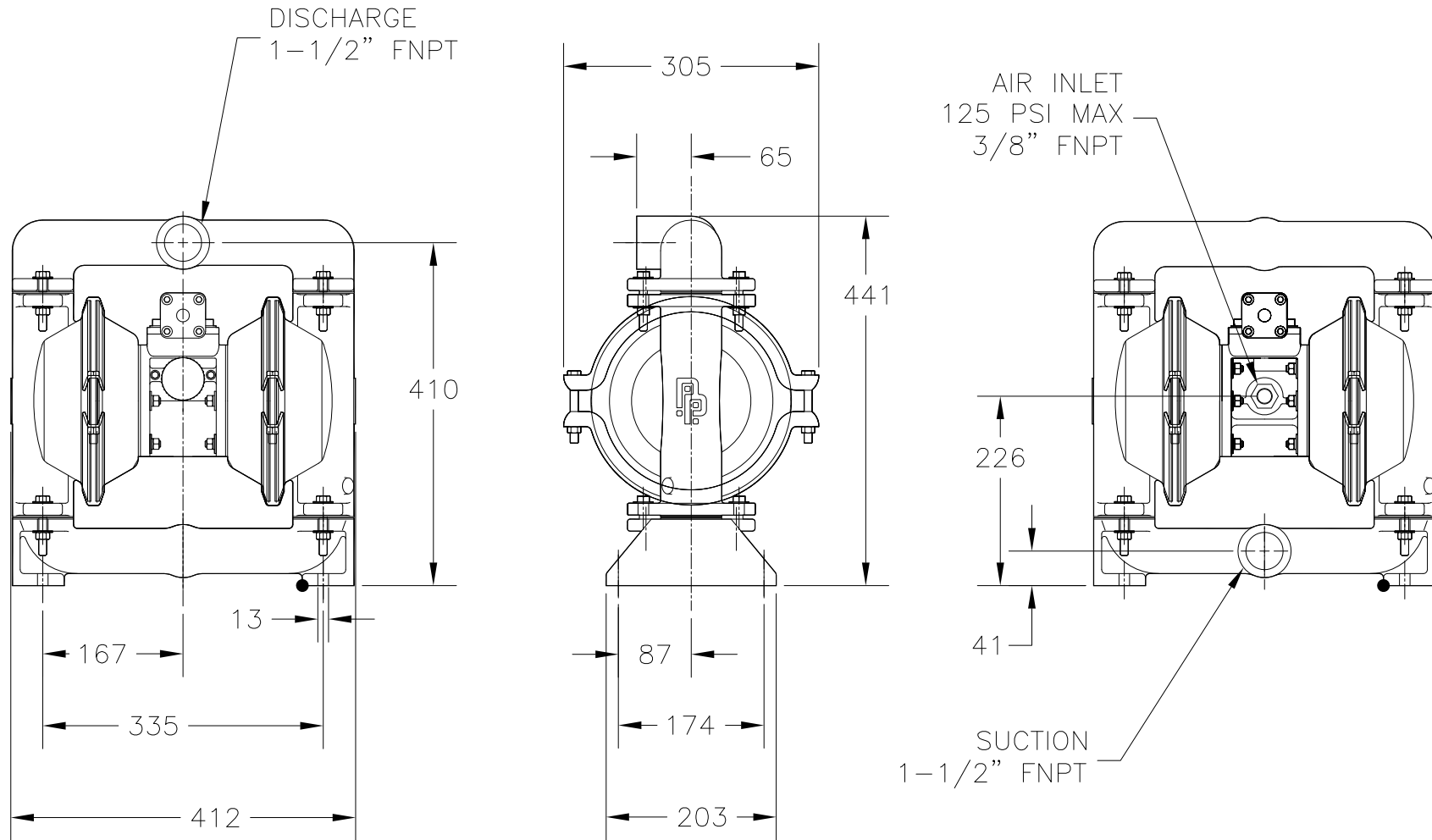


DESCRIPTION
1-1/2" AOD CAST IRON (METRIC)

REF. NO.
M-AOD15-C

DATE
12/24/02

REV.
A



NOTE: ALL DIMENSIONS HAVE BEEN ROUNDED TO THE NEAREST 2mm



PRICE[®] PUMP CO.

FACTORY FAX TRANSMITTAL DRAWING

21775 Eighth Street East
Sonoma, CA 95476-0329
FAX: (707) 938-0764

(707) 938-8441