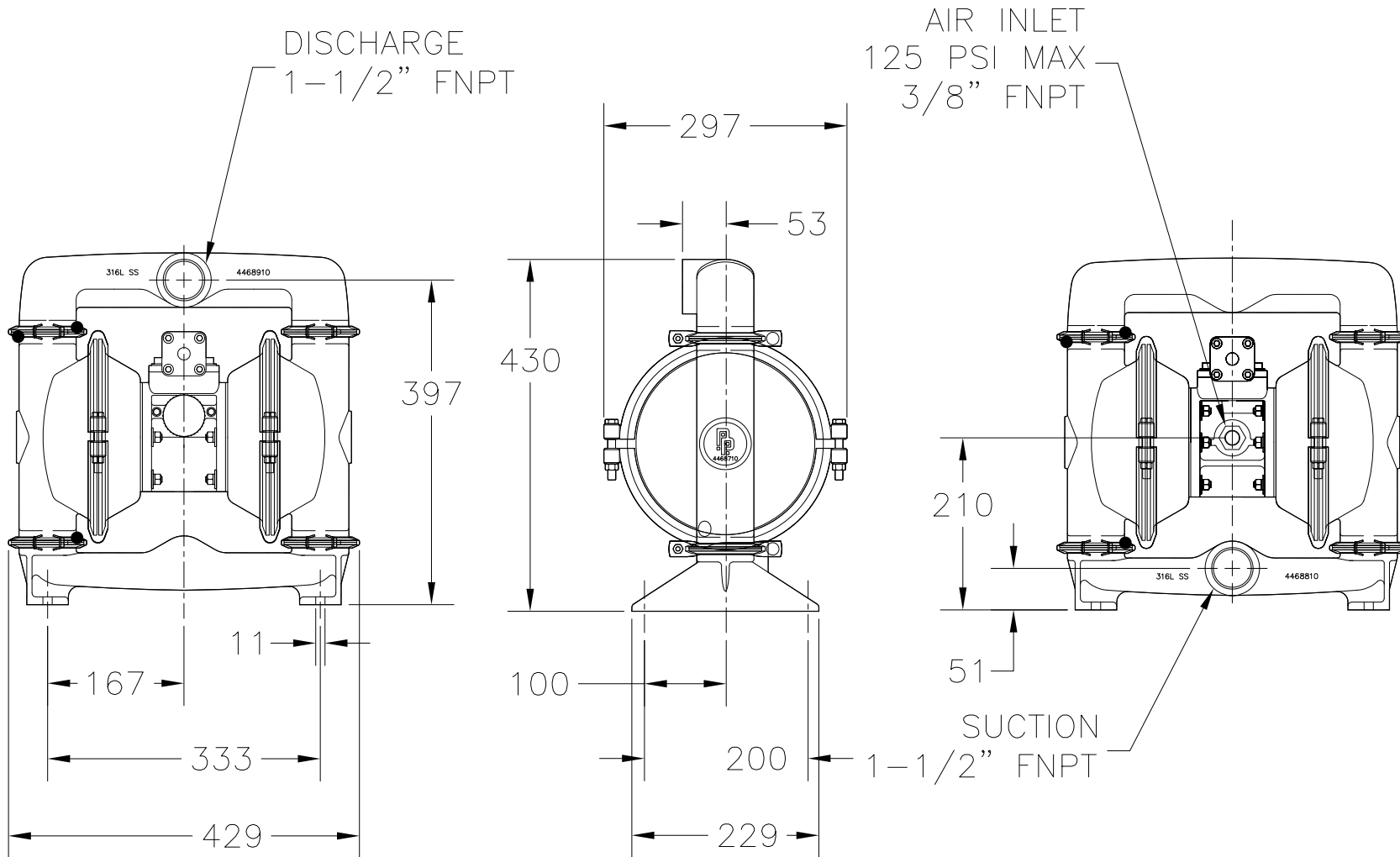


DESCRIPTION
 1-1/2' AOD STAINLESS STEEL (METRIC)

REF. NO.
 M-AOD15-S

DATE
 12/24/02

REV.
 A



NOTE: ALL DIMENSIONS HAVE BEEN ROUNDED TO THE NEAREST 2mm



PRICE[®] PUMP CO.

FACTORY FAX TRANSMITTAL DRAWING

21775 Eighth Street East
 Sonoma, CA 95476-0329
 FAX: (707) 938-0764

(707) 938-8441