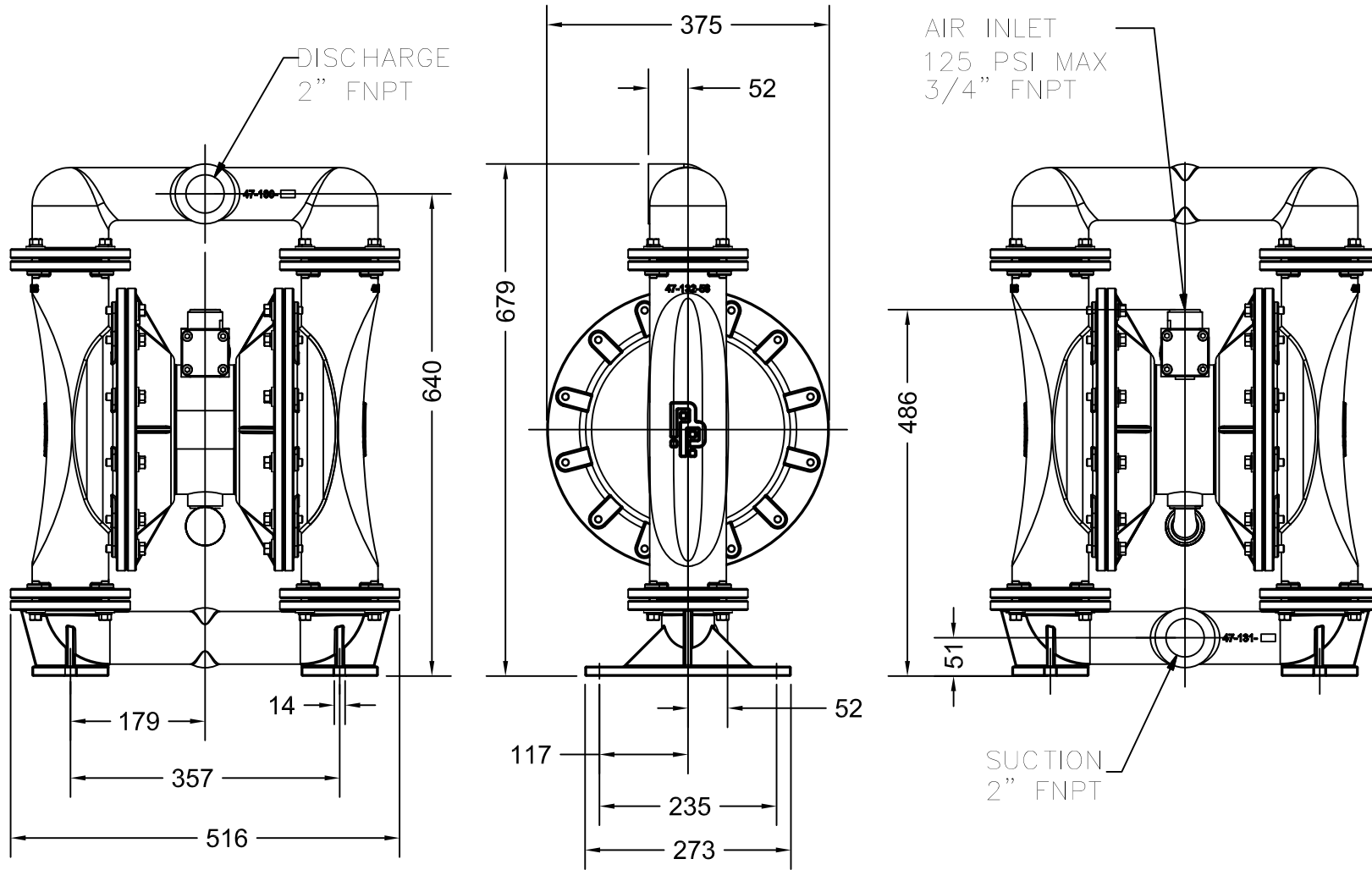


DESCRIPTION
2" BOLTED AOD - ALUMINUM METRIC

REF. NO.
M-AOD2B-A

DATE
9/9/13

REV.
-



NOTE: ALL DIMENSIONS HAVE BEEN ROUNDED TO THE NEAREST 2mm

Price
PRICE® PUMPP CO.

FACTORY FAX TRANSMITTAL DRAWING

21775 Eighth Street East
Sonoma, CA 95476-0329
FAX: (707) 938-0764

(707) 938-8441