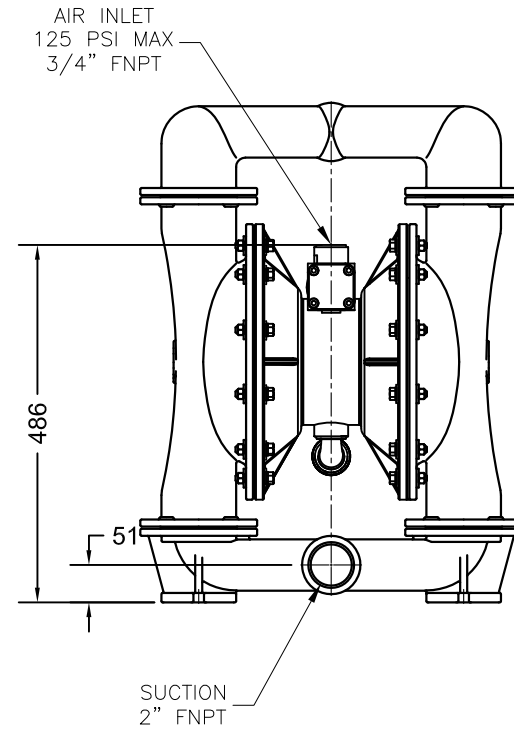
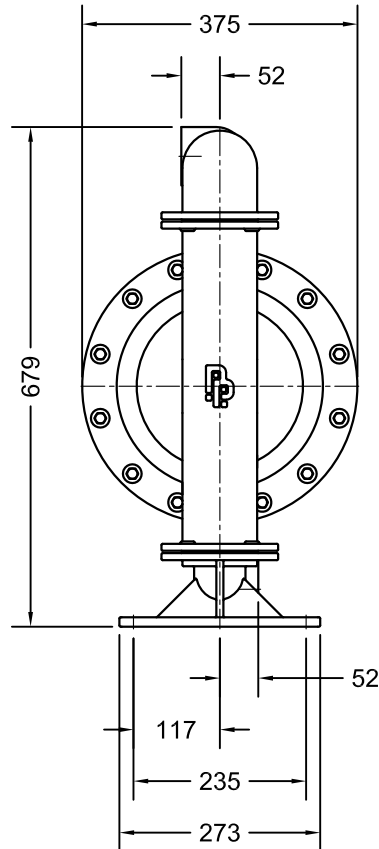
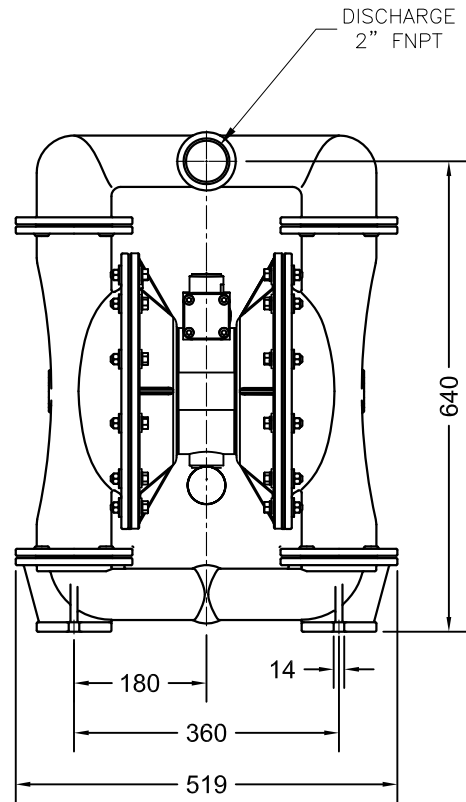


DESCRIPTION
 2" BOLTED AOD - STAINLESS STEEL METRIC

REF. NO.
 M-AOD2B-S

DATE
 9/9/13

REV.
 -



NOTE: ALL DIMENSIONS HAVE BEEN ROUNDED TO THE NEAREST 2mm



PRICE[®] PUMP CO.

FACTORY FAX TRANSMITTAL DRAWING

21775 Eighth Street East
 Sonoma, CA 95476-0329
 FAX: (707) 938-0764

(707) 938-8441