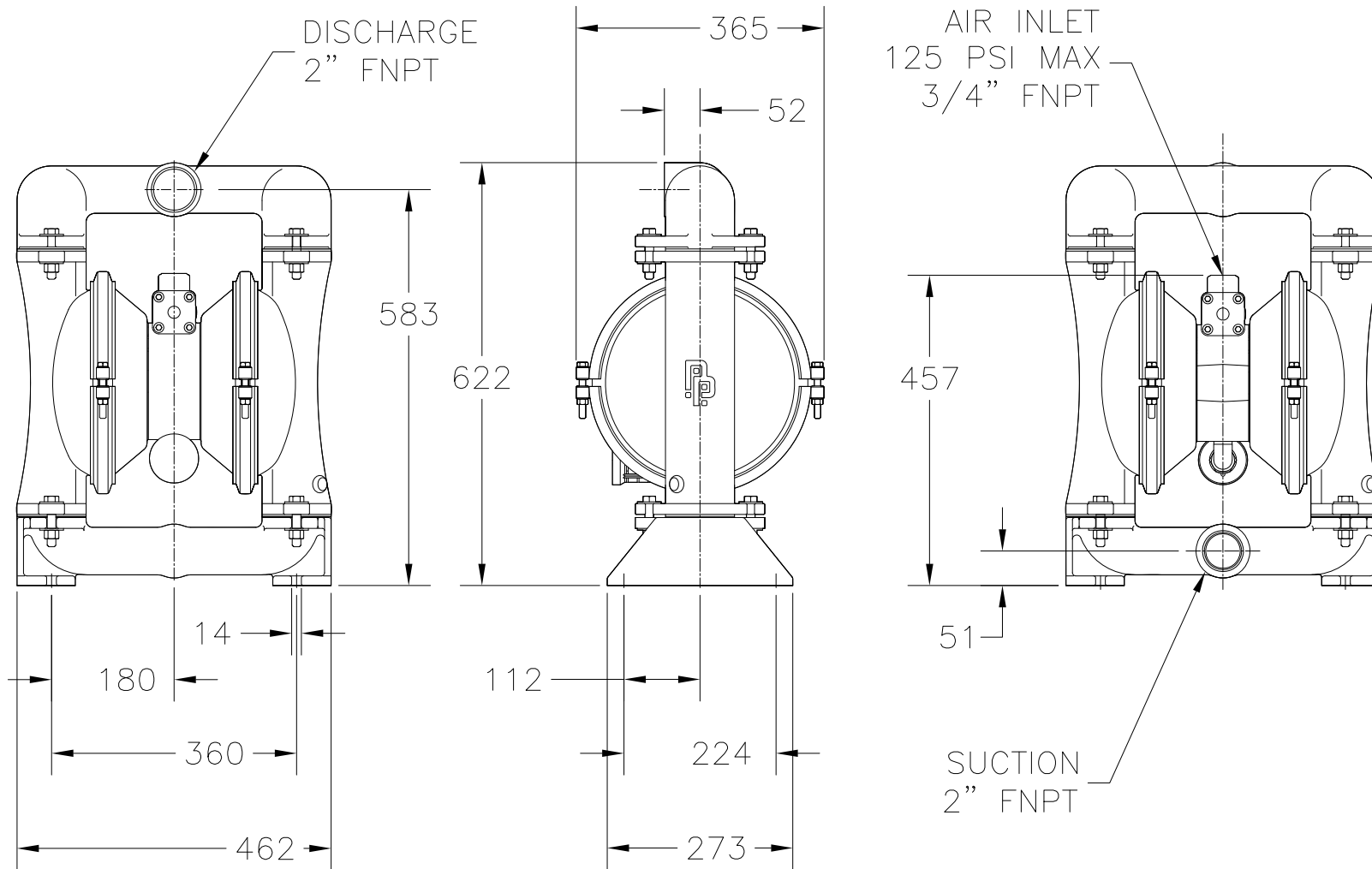


DESCRIPTION  
2" AOD - CAST IRON (ALL ELASTOMERS EXCEPT SANTOPRENE & TEFLON) METRIC

REF. NO.  
M-AOD2-C

DATE  
4/18/03

REV.  
A



NOTE: ALL DIMENSIONS HAVE BEEN ROUNDED TO THE NEAREST 2mm



PRICE<sup>®</sup> PUMP CO.

FACTORY FAX TRANSMITTAL DRAWING

21775 Eighth Street East  
Sonoma, CA 95476-0329  
FAX: (707) 938-0764

(707) 938-8441