

DESCRIPTION

2" AOD - CAST IRON (SANTOPRENE & TEFLON ELASTOMERS)

REF. NO.

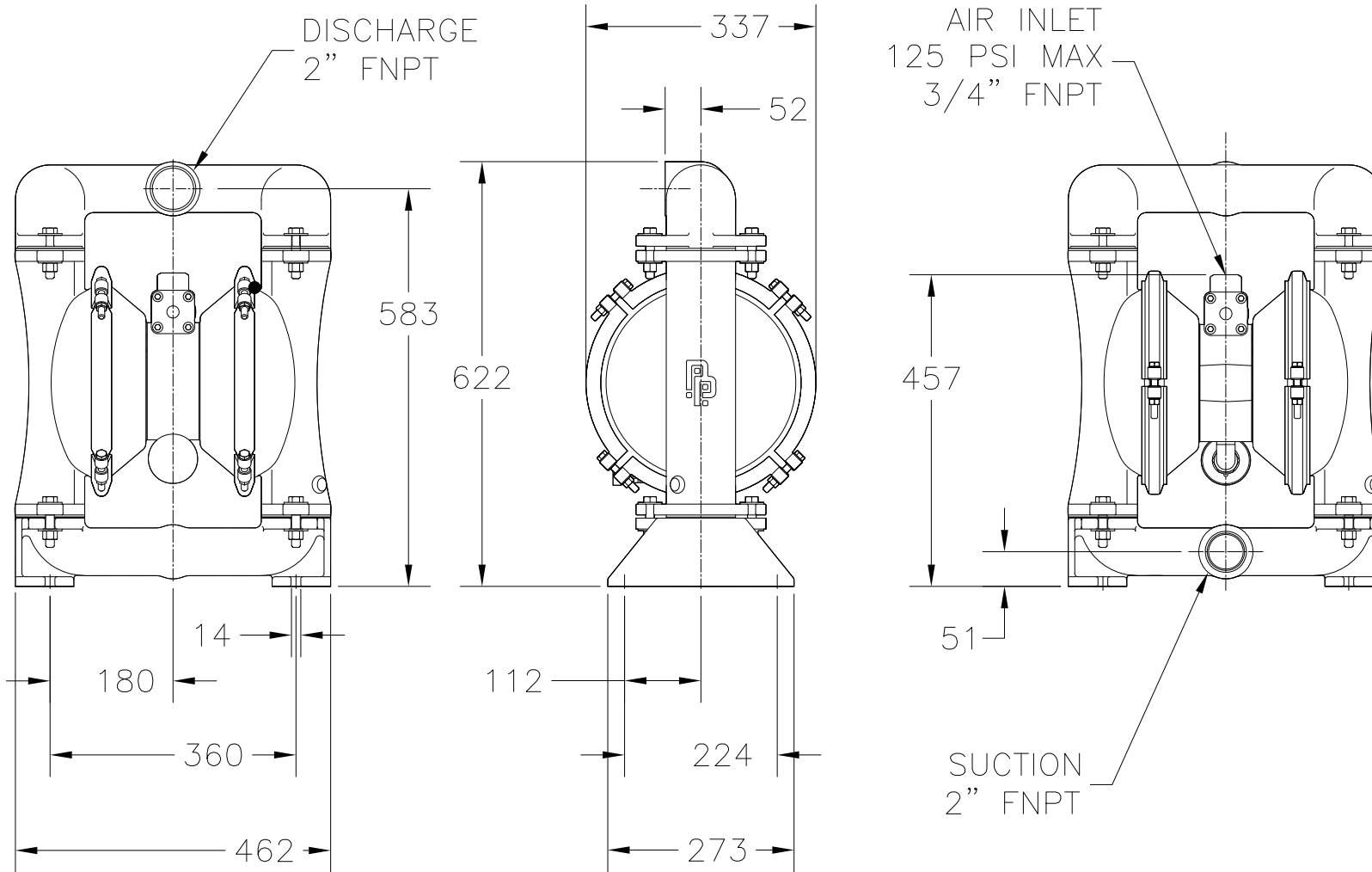
M-AOD2-CT

DATE

4/18/03

REV.

A



NOTE: ALL DIMENSIONS HAVE BEEN ROUNDED TO THE NEAREST 2mm



PRICE[®] PUMP CO.

FACTORY FAX TRANSMITTAL DRAWING

21775 Eighth Street East
Sonoma, CA 95476-0329
FAX: (707) 938-0764

(707) 938-8441