

DESCRIPTION

2" AOD POLYPROPYLENE AND PVDF - METRIC

REF. NO.

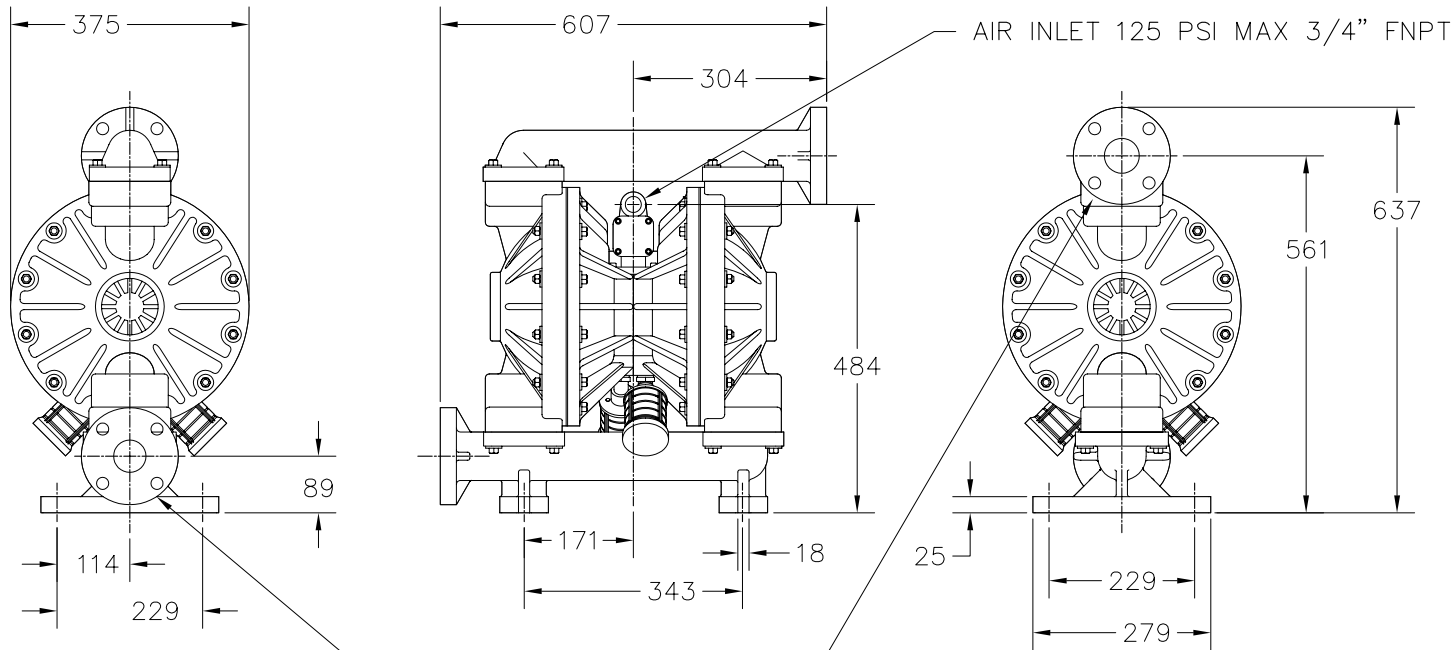
M-AOD2-P

DATE

4/18/03

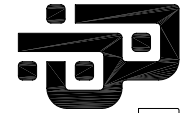
REV.

B



SUCTION AND DISCHARGE:
 2" ANSI FLANGES
 FLANGE OUTSIDE DIA 6.00"
 BOLT HOLES (4 EA.) ϕ .750"
 EQ SP ON A ϕ 4.750" B.C.

NOTE: ALL DIMENSIONS HAVE BEEN ROUNDED TO THE NEAREST 2mm



PRICE PUMP CO.

FACTORY FAX TRANSMITTAL DRAWING

21775 Eighth Street East
 Sonoma, CA 95476-0329
 FAX: (707) 938-0764

P.O. Box Q
 (707) 938-8441