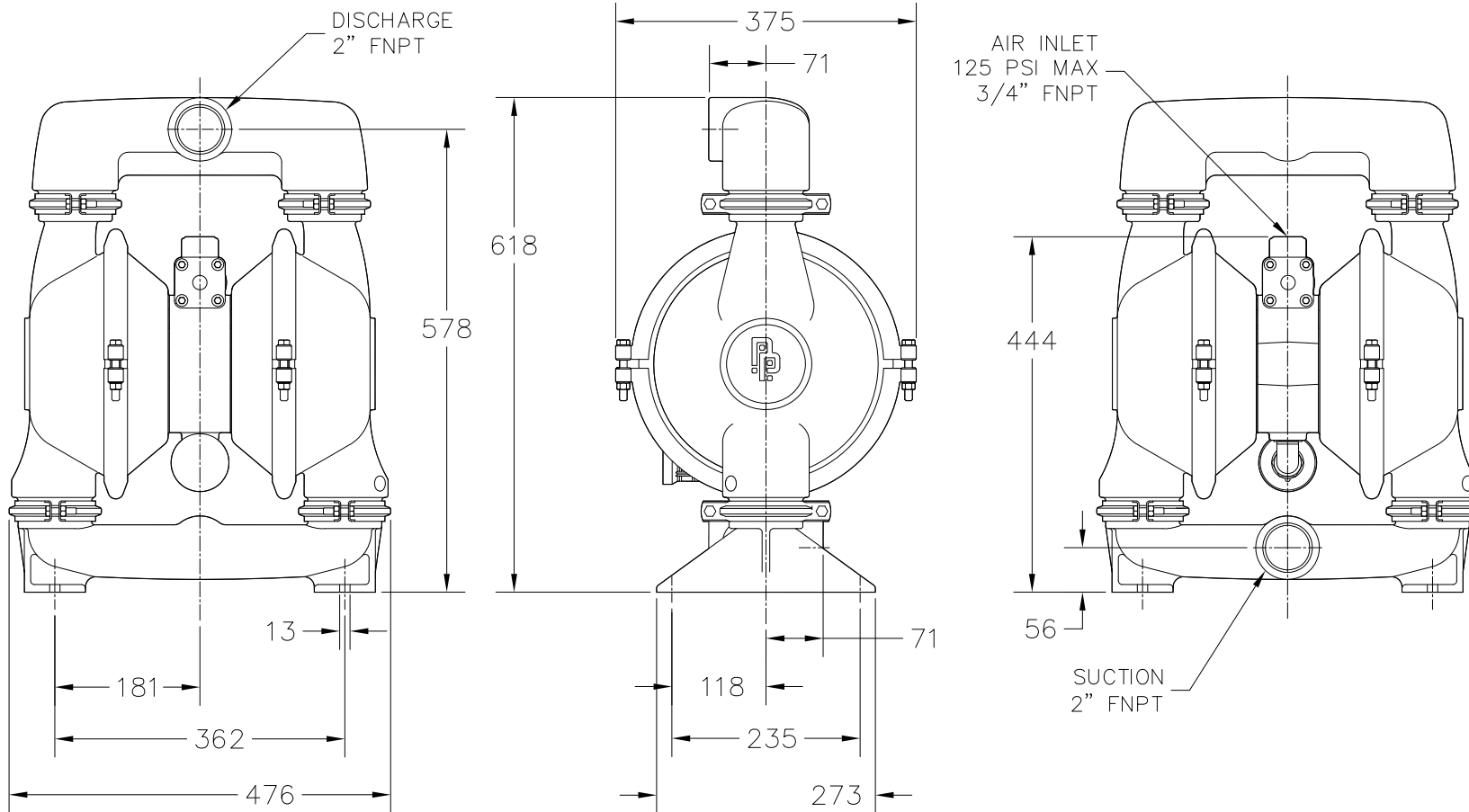


DESCRIPTION
2" AOD STAINLESS STEEL (ALL ELASTOMERS EXCEPT SANTOPRENE & TEFLON) METRIC

REF. NO.
M-AOD2-S

DATE
4/18/03

REV.
A



NOTE: ALL DIMENSIONS HAVE BEEN ROUNDED TO THE NEAREST 2mm



PRICE[®] PUMP CO.

FACTORY FAX TRANSMITTAL DRAWING

21775 Eighth Street East
Sonoma, CA 95476-0329
FAX: (707) 938-0764

(707) 938-8441