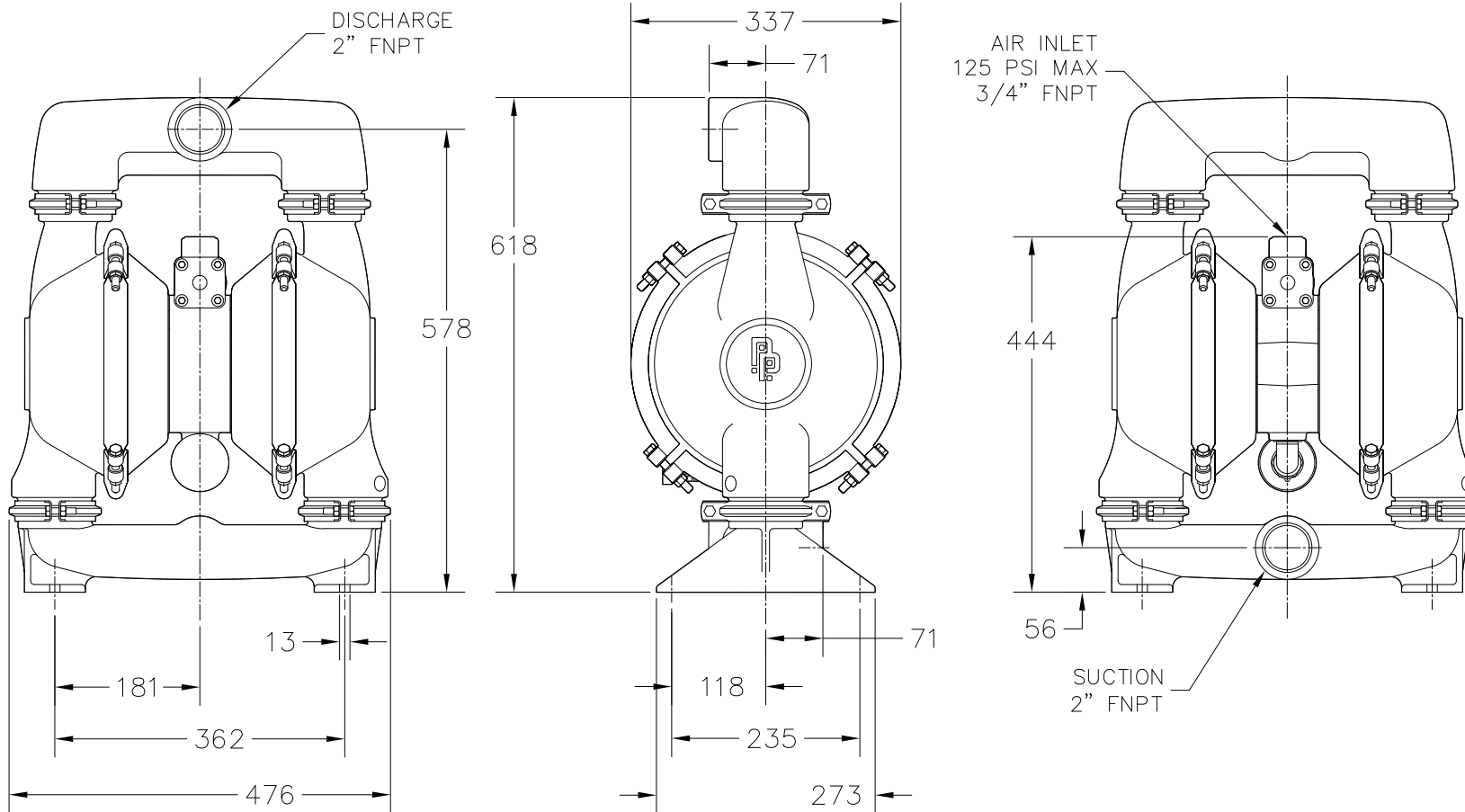


DESCRIPTION
 2" AOD STAINLESS STEEL (SANTOPRENE & TEFLON ELASTOMERS) METRIC

REF. NO.
 M-AOD2-ST

DATE
 4/18/03

REV.
 A



NOTE: ALL DIMENSIONS HAVE BEEN ROUNDED TO THE NEAREST 2mm



PRICE[®] PUMP CO.

FACTORY FAX TRANSMITTAL DRAWING

21775 Eighth Street East
 Sonoma, CA 95476-0329
 FAX: (707) 938-0764

(707) 938-8441