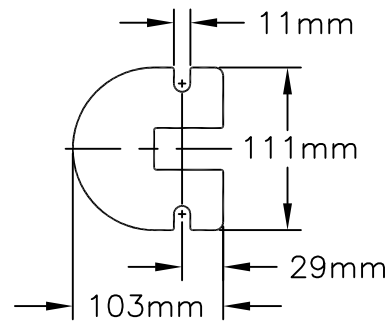
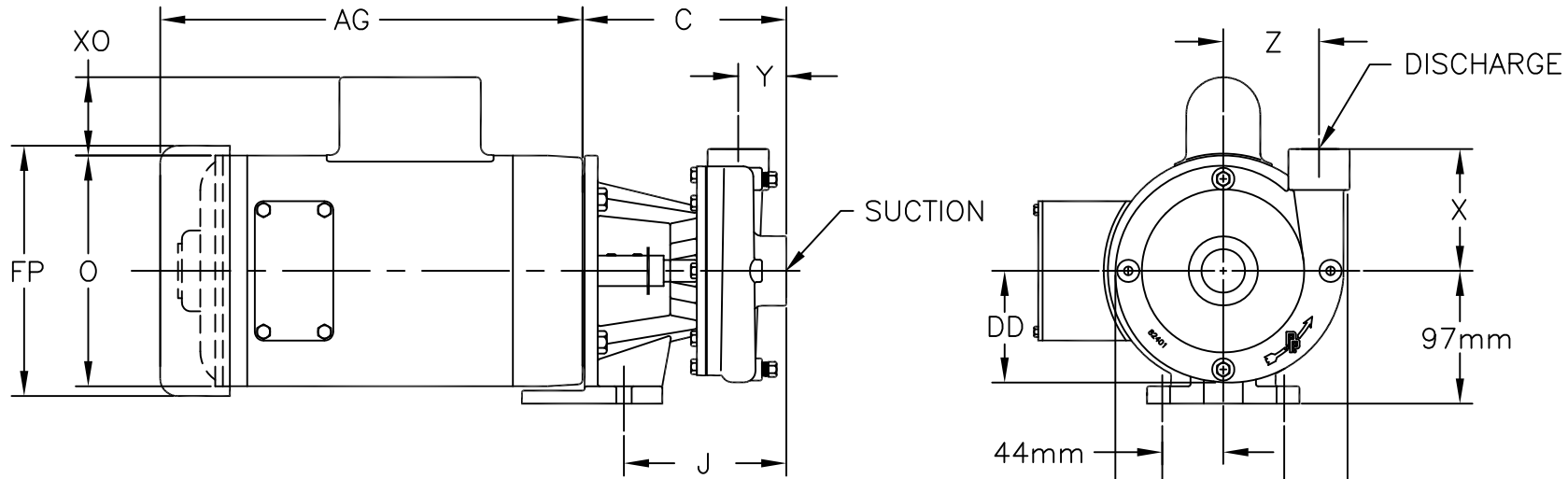


DESCRIPTION
CD100/150 CI&BR CLOSE COUPLED MOTOR PUMP ASSY (METRIC)

REF. NO.
M-CDCIBRH

DATE
7/27/95

REV.
-



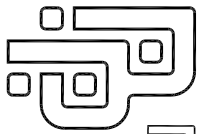
MOTOR END DIMENSIONS						
HP	RPM	FRM	AG	FP	O	X0
1/4	1800	56C	197	156	137	52
1/3	1800	56C	210	156	137	52
1/2	1800	56C	222	156	137	52
1/3	3600	56C	216	156	137	52
1/2	3600	56C	222	156	137	52
3/4	3600	56C	235	156	137	52
1	3600	56C	248	156	137	52
1 1/2	3600	56C	267	183	175	57
2	3600	56C	283	183	175	57
3	3600	56C	314	183	175	57

	PUMP END DIMENSIONS							PIPE THREADS IN INCH	
	C	DD	PW	X	Y	Z	J	SUNCTION	DISCHG
CD100 CI	149	81	170	89	35	70	117	1 1/4	1"
CD150 CI	173	103	202	97	54	78	143	2"	1 1/2

NOTE:

MOTOR DIMENSIONS WILL VARY BY MODEL AND MAKE, DIMENSIONS ARE TO BE USED FOR REFERENCE ONLY.

ALL DIMENSIONS ARE GIVEN IN MILLIMETERS \pm 2mm.



PRICE PUMP CO.

FACTORY FAX TRANSMITTAL DRAWING

21775 Eighth Street East
Sonoma, CA 95476 (707) 938-8441
707-FAX 938-0764