

DESCRIPTION

CD100/150 SS CLOSE COUPLED AIR MOTOR PUMP ASSY (METRIC)

REF. NO.

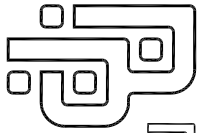
M-CDSSAIR

DATE

9/23/14

REV.

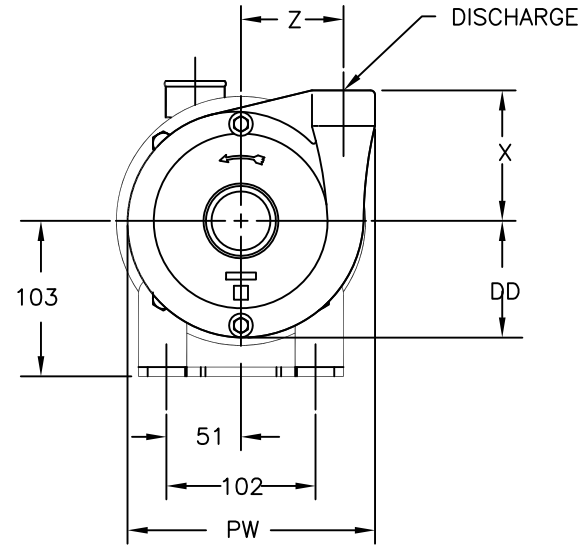
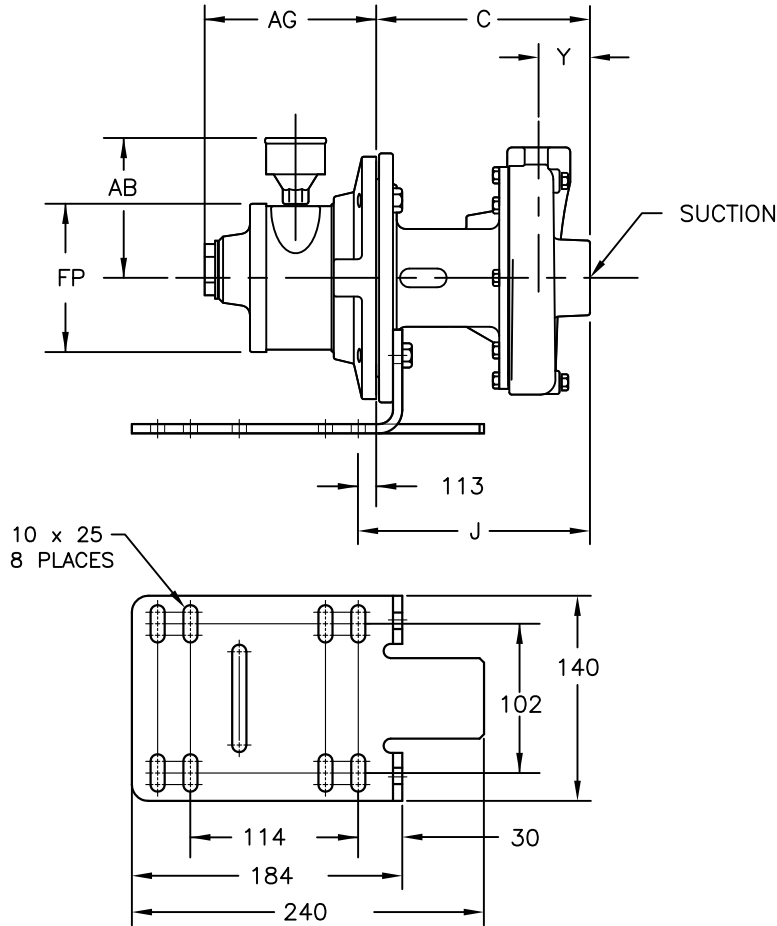
-



PRICE PUMP CO.

FACTORY FAX TRANSMITTAL DRAWING

21775 Eighth Street East
 Sonoma, CA 95476 (707) 938-8441
 707-FAX 938-0764



MOTOR END DIMENSIONS

MODEL NO.	AG	FP	AB
2AM-NCC-43A	95	102	95
4AM-NRV-50C	117	102	95
6AM-NRV-11A	173	127	52

NOTE:

MOTOR DIMENSIONS WILL VARY BY MODEL AND MAKE, DIMENSIONS ARE TO BE USED FOR REFERENCE ONLY.

NOTE:

ALL DIMENSIONS ARE GIVEN IN MILLIMETERS ± 2mm.

PUMP END DIMENSIONS

	C	DD	PW	X	Y	Z	J	SUCTION	DISCHG
CD100 SS	146	79	168	89	35	70	159	1 1/4"	1"
CD150 SS	173	103	202	97	54	78	186	2"	1 1/2"