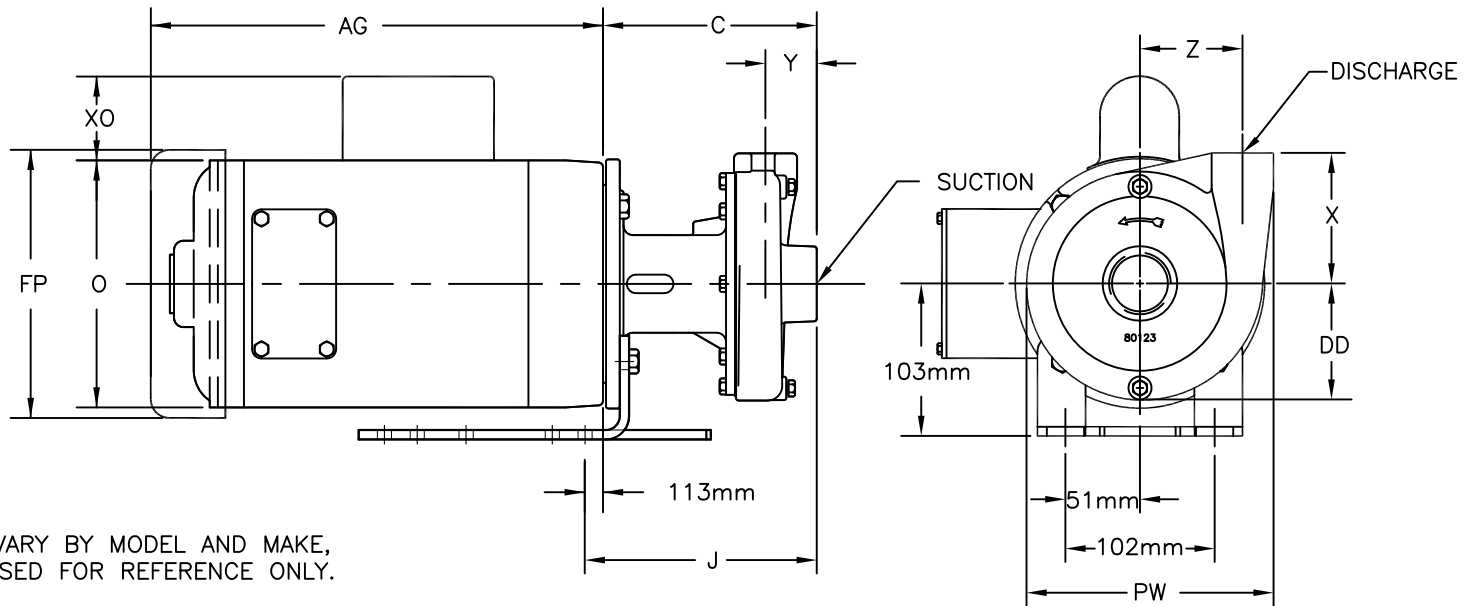


DESCRIPTION
CD100/150 SS CLOSE COUPLED MOTOR PUMP ASSEMBLY (METRIC)

REF. NO.
M-CDSSH

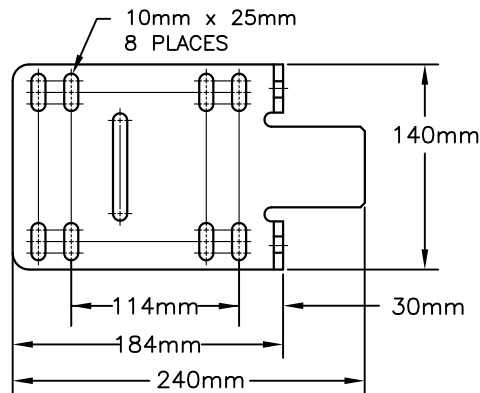
DATE
4/22/14

REV.
-



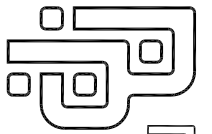
NOTE:
MOTOR DIMENSIONS WILL VARY BY MODEL AND MAKE,
DIMENSIONS ARE TO BE USED FOR REFERENCE ONLY.

				MOTOR END DIMENSIONS			
HP	RPM	FRM		AG	FP	O	XO
1/4	1800	56C		197	156	137	52
1/3	1800	56C		210	156	137	52
1/2	1800	56C		222	156	137	52
1/3	3600	56C		216	156	137	52
1/2	3600	56C		222	156	137	52
3/4	3600	56C		235	156	137	52
1	3600	56C		248	156	137	52
1 1/2	3600	56C		267	183	175	57
2	3600	56C		283	183	175	57
3	3600	56C		314	183	175	57



NOTE:
ALL DIMENSIONS ARE GIVEN IN MILLIMETERS \pm 2mm.

		PUMP END DIMENSIONS								
		C	DD	PW	X	Y	Z	J	SUCTION	DISCHG
CD100	SS	146	79	168	89	35	70	159	1 1/4"	1"
CD150	SS	173	103	202	97	54	78	186	2"	1 1/2"



PRICE PUMP CO.

FACTORY FAX TRANSMITTAL DRAWING

21775 Eighth Street East
Sonoma, CA 95476 (707) 938-8441
707-FAX 938-0764