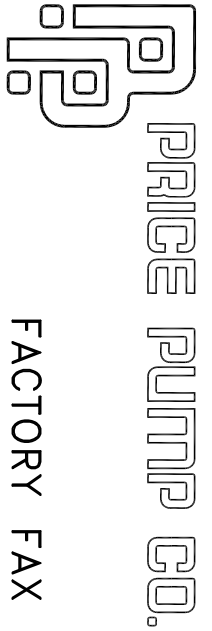


DESCRIPTION
CD100/150 SS CLOSE COUPLED 184C MOTOR PUMP ASSEMBLY (METRIC)

REF. NO.
M-CDSSH-184C

DATE
9/23/14

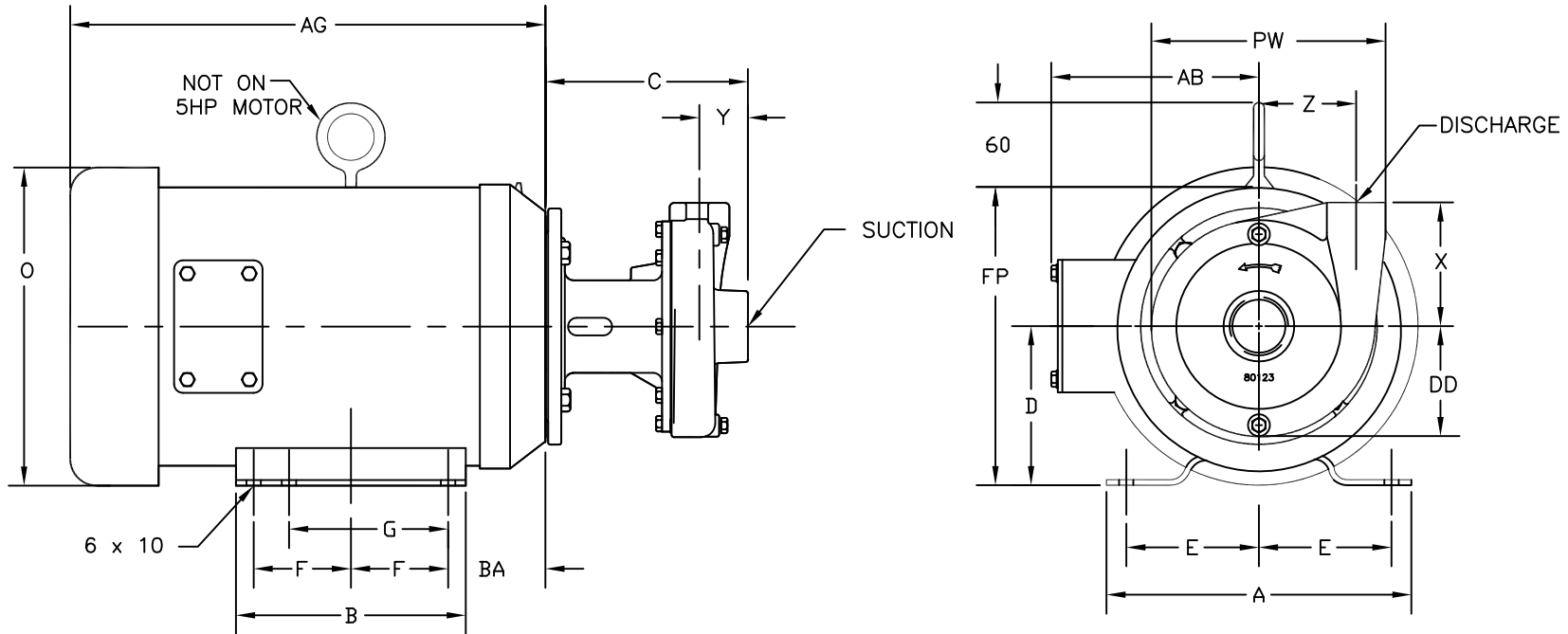
REV.
-



PRICE PUMP CO.

FACTORY FAX TRANSMITTAL DRAWING

21775 Eighth Street East
Sonoma, CA 95476 (707) 938-8441
707-FAX 938-0764



184C MOTOR END DIMENSIONS

HP	MOTOR	AG	AB	FP	O	D	BA	E	F	G	A	B
5	1655BA	343	175	216	219	114	73	95	70	114	219	165
7-1/2	3763BA	381										
10	3811BA	368	203	254	275	133	67	108	89	140	241	203

NOTE:

ALL DIMENSIONS ARE GIVEN IN MILLIMETERS \pm 2mm.

PUMP END DIMENSIONS

	PUMP END DIMENSIONS						PIPE THREADS IN INCH	
	C	DD	PW	X	Y	Z	SUCTION	DISCHG
CD100 SS	146	79	168	89	35	70	1 1/4"	1"
CD150 SS	173	103	202	97	54	78	2"	1 1/2"