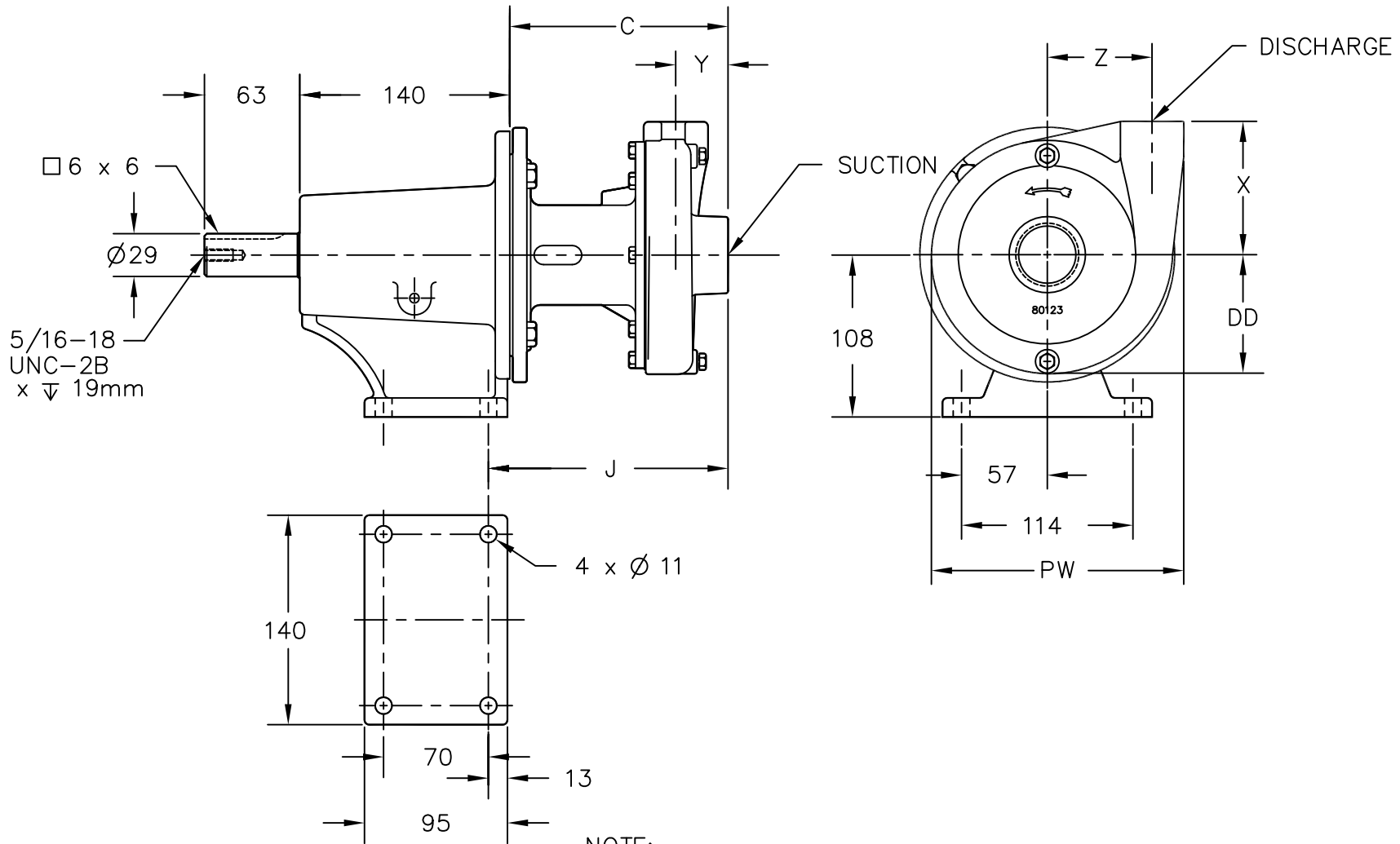


DESCRIPTION
 CD100/150 SS POWER FRAME ASSEMBLY (METRIC)

REF. NO.
 M-CDSSPF

DATE
 9/23/14

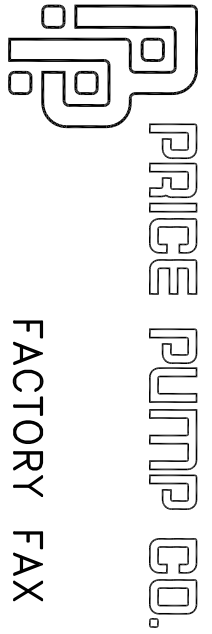
REV.
 -



NOTE:
 ALL DIMENSIONS ARE GIVEN IN MILLIMETERS ± 2mm.

PUMP END DIMENSIONS

	C	DD	PW	X	Y	Z	J	SUCTION	DISCHG
CD100 SS	146	79	168	89	35	70	160	1 1/4"	1"
CD150 SS	173	103	202	97	54	78	187	2"	1 1/2"



FACTORY FAX TRANSMITTAL DRAWING

21775 Eighth Street East
 Sonoma, CA 95476 (707) 938-8441
 707-FAX 938-0764