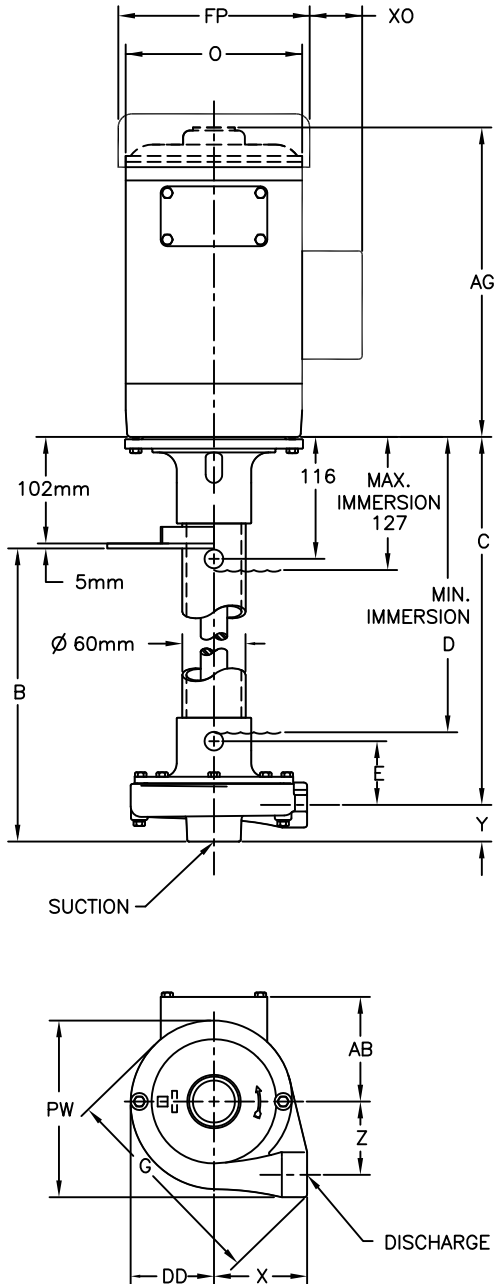


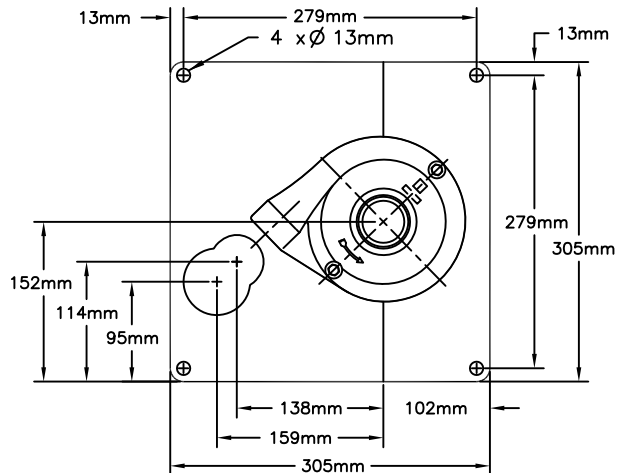
**FACTORY FAX TRANSMITTAL DRAWING**

 REF. NO. M-CDSSV  
 DATE 4/22/14  
 REV. -  
 DESCRIPTION CD100/150 SS VERTICAL MOTOR PUMP ASSEMBLY (METRIC)


HP	RPM	FRM	MOTOR END DIMENSIONS			
			AG	FP	O	XO
1/4	1800	56C	197	156	137	52
1/3	1800	56C	210	156	137	52
1/2	1800	56C	222	156	137	52
1/3	3600	56C	216	156	137	52
1/2	3600	56C	222	156	137	52
3/4	3600	56C	235	156	137	52
1	3600	56C	248	156	137	52
1 1/2	3600	56C	267	183	175	57
2	3600	56C	283	183	175	57
3	3600	56C	314	183	175	57
5	3600	184C	345	216	210	57

**NOTE:**  
 MOTOR DIMENSIONS WILL VARY BY MODEL AND MAKE;  
 DIMENSIONS ARE TO BE USED FOR REFERENCE ONLY.

COLUMN	COLUMN DIMENSIONS			IMMERSION MIN.	D
	B	C	E		
CD100 SS-V	170mm	119mm	189mm	59mm	119mm
	330mm	279mm	349mm		279mm
	508mm	457mm	527mm		457mm
	812mm	762mm	831mm		762mm
CD150 SS-V	1117mm	1067mm	1137mm	68mm	1067mm
	170mm	146mm	197mm		140mm
	330mm	294mm	357mm		279mm
	508mm	471mm	535mm		457mm
	812mm	776mm	840mm		762mm
	1117mm	1081mm	1145mm		1067mm



	PUMP END DIMENSIONS						PIPE THREADS IN INCH	
	G	DD	PW	X	Y	Z	SUCTION	DISCHG
CD100 SS	206mm	79mm	168mm	89mm	35mm	70mm	1 1/4 NPT	1" NPT
CD150 SS	240mm	103mm	202mm	97mm	54mm	78mm	2" NPT	1 1/2 NPT

**NOTE:**  
 1. CD100 SS PUMP USED TO MAKE OUTLINE DRAWING.  
 2. ALL DIMENSIONS ARE GIVEN IN MILLIMETERS ± 2mm.