

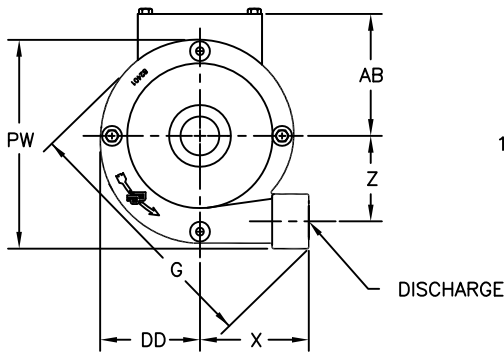
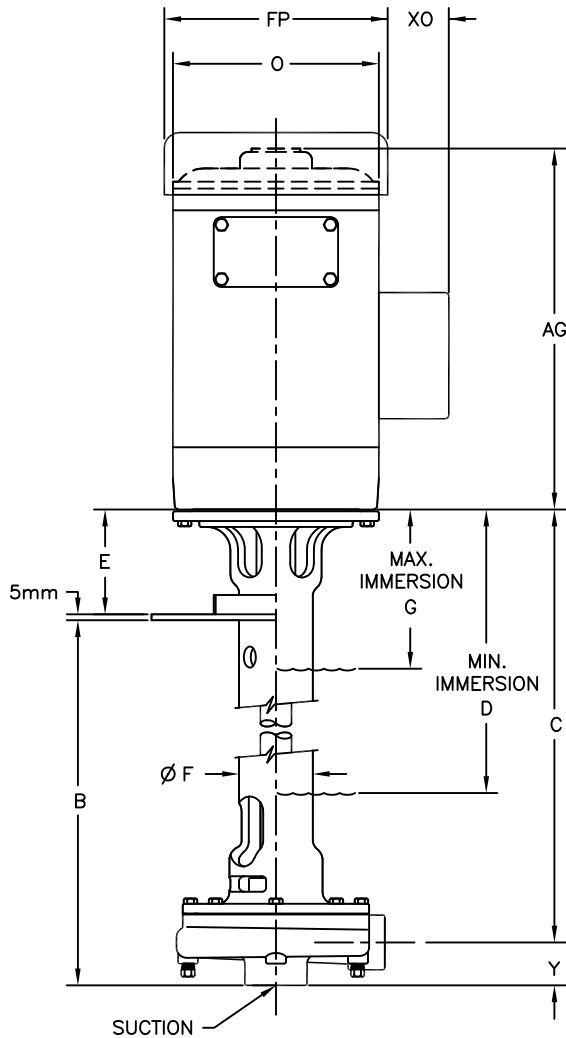
FACTORY FAX TRANSMITTAL DRAWING

REV. A

DATE 8/7/95

REF. NO. M-CDVCI

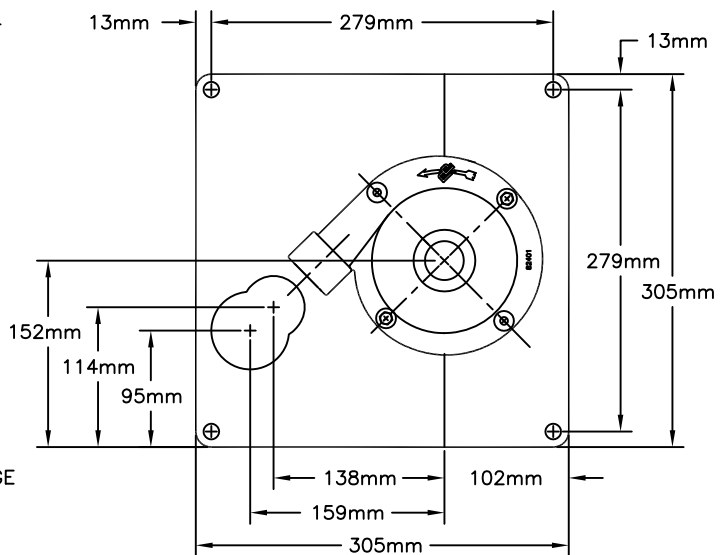
DESCRIPTION CD100/150 CI VERTICAL MOTOR PUMP ASSY (METRIC)



MOTOR END DIMENSIONS						
HP	RPM	FRM	AG	FP	O	XO
1/4	1800	56C	197	156	137	52
1/3	1800	56C	210	156	137	52
1/2	1800	56C	222	156	137	52
1/3	3600	56C	216	156	137	52
1/2	3600	56C	222	156	137	52
3/4	3600	56C	235	156	137	52
1	3600	56C	248	156	137	52
1 1/2	3600	56C	267	183	175	57
2	3600	56C	283	183	175	57
3	3600	56C	314	183	175	57
5	3600	184C	345	216	210	57

NOTE:
 MOTOR DIMENSIONS WILL VARY BY MODEL AND MAKE,
 DIMENSIONS ARE TO BE USED FOR REFERENCE ONLY.

	COLUMN DIMENSIONS				IMMERSION	
	E	B	C	F	MIN. D	MAX. G
CD100-V CI 13"	86	298	354	60	232	130
CD100-V CS 20"	102	460	531	64	458	125
CD100-V CS 32"		765	836		765	
CD100-V CS 44"		1120	1141		1068	
CD150-V CI 13"	86	322	357	60	232	130
CD150-V CS 20"	102	484	535	64	458	125
CD150-V CS 32"		789	840		765	
CD150-V CS 44"		1081	1144		1068	



	PUMP END DIMENSIONS						PIPE THREADS IN INCH	
	G	DD	PW	X	Y	Z	SUCTION	DISCHG
CD100 CI	208mm	81mm	170mm	89mm	35mm	70mm	1 1/4 NPT	1" NPT
CD150 CI	240mm	105mm	202mm	97mm	54mm	78mm	2" NPT	1 1/2 NPT

NOTE: ALL DIMENSIONS ARE GIVEN IN MILLIMETERS ± 2mm.