

DESCRIPTION

CL150 SS POWER FRAME ASSEMBLY (METRIC)

REF. NO.

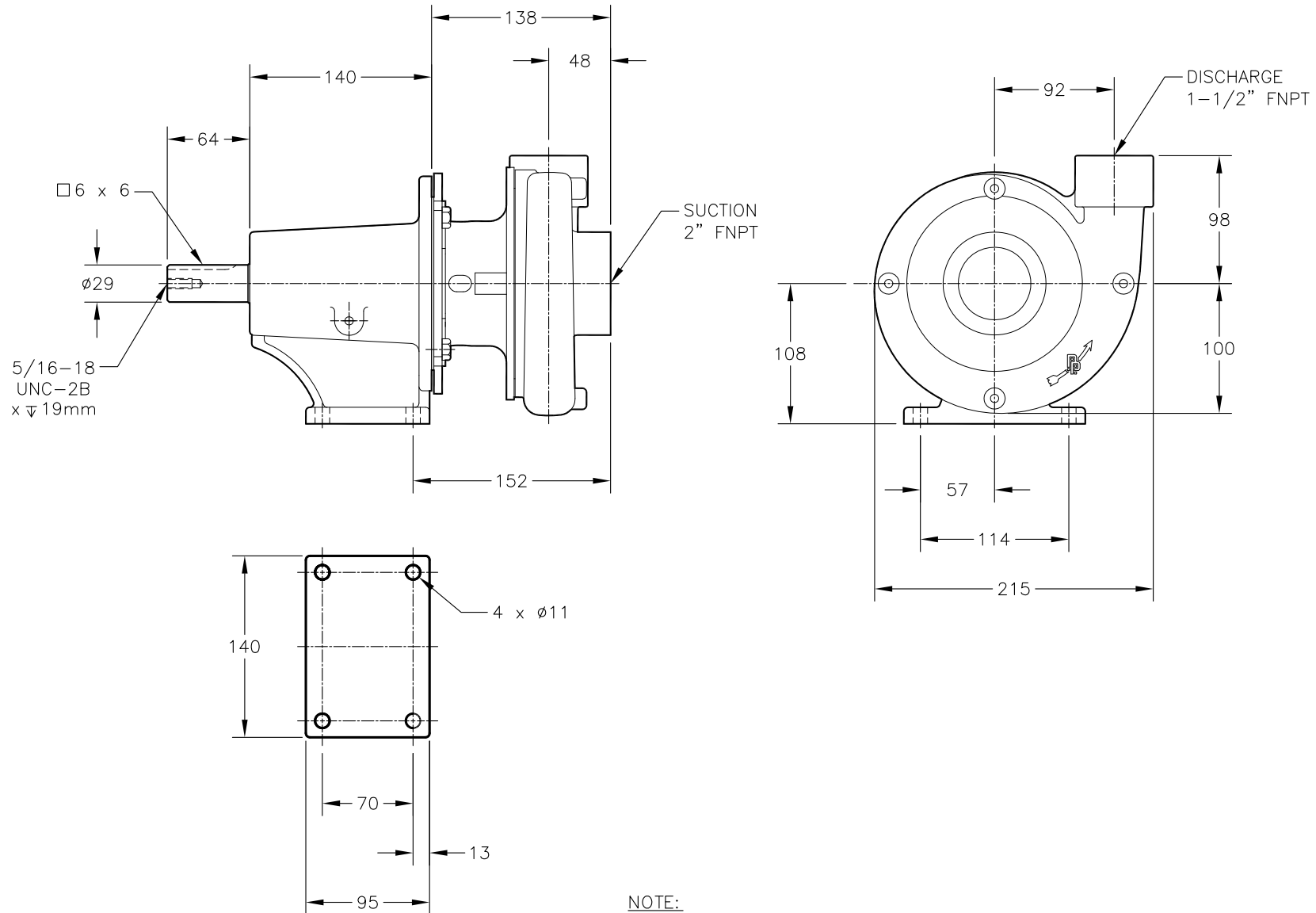
M-CLSSPF

DATE

9/24/14

REV.

-



NOTE:

ALL DIMENSIONS ARE GIVEN IN MILLIMETERS ± 2 mm.



PRIME® PUMPS GO.

FACTORY FAX TRANSMITTAL DRAWING

21775 Eighth Street East
 Sonoma, CA 95476-0329
 Phone: (707) 938-8441
 FAX: (707) 938-0764