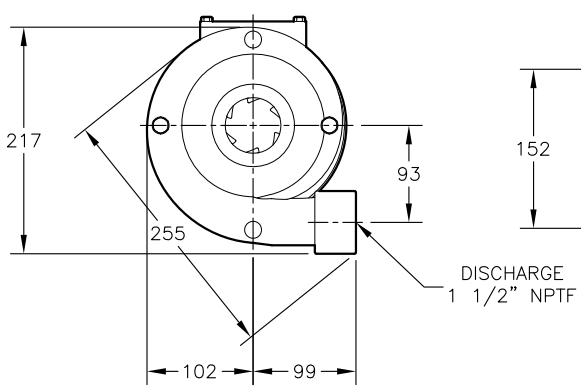
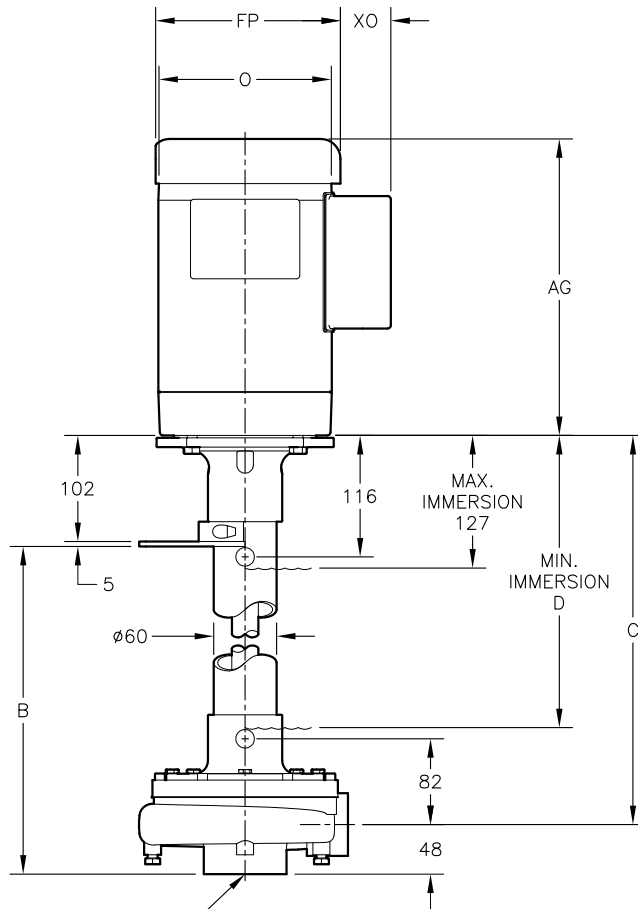




FACTORY FAX TRANSMITTAL DRAWING

REV. —  
 DATE 9/24/14  
 REF. NO. M-CLSSV

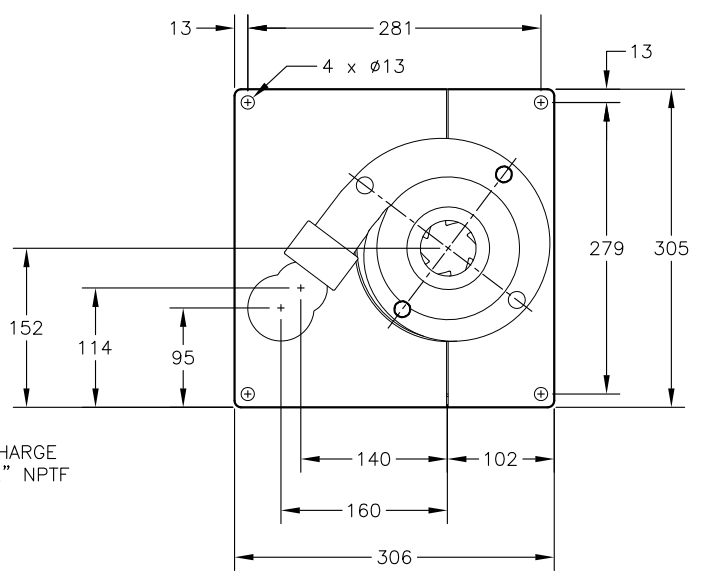
DESCRIPTION  
 CL150 SS VERTICAL MOTOR PUMP ASSEMBLY (METRIC)



MOTOR END DIMENSIONS						
HP	RPM	FRM	AG	FP	O	XO
1/4	1800	56C	197	156	137	52
1/3	1800	56C	210	156	137	52
1/2	1800	56C	222	156	137	52
1/3	3600	56C	216	156	137	52
1/2	3600	56C	222	156	137	52
3/4	3600	56C	235	156	137	52
1	3600	56C	248	156	137	52
1 1/2	3600	56C	267	183	175	57
2	3600	56C	283	183	175	57
3	3600	56C	314	183	175	57
5	3600	184C	345	216	210	57

NOTE:  
 MOTOR DIMENSIONS WILL VARY BY MODEL AND MAKE;  
 DIMENSIONS ARE TO BE USED FOR REFERENCE ONLY.

COLUMN DIMENSIONS			IMMERSION
COLUMN	B	C	MIN. D
169	152	211	119
330	313	371	279
508	491	549	457
813	795	854	762
1118	1100	1159	1067



NOTE:  
 1. ALL DIMENSIONS ARE GIVEN IN MILLIMETERS ± 2mm.