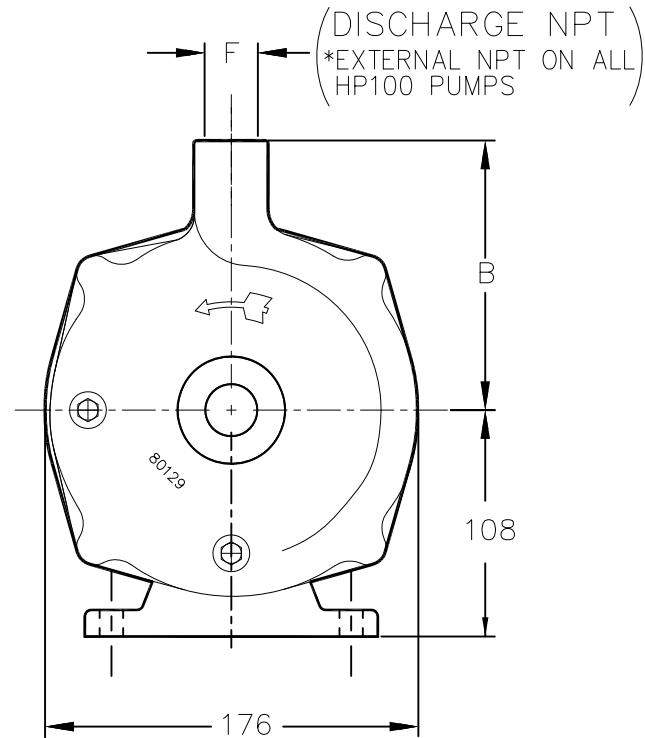
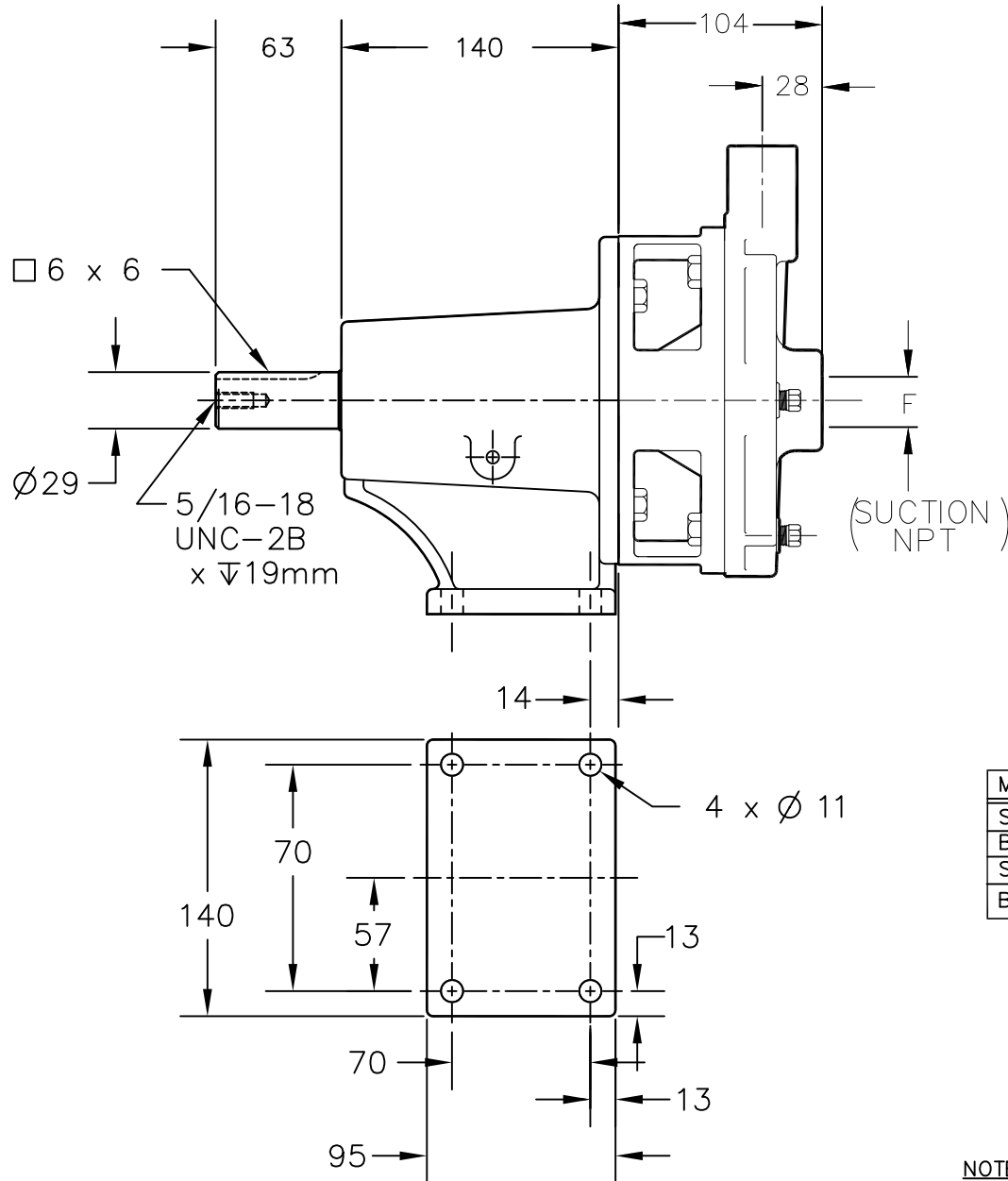


DESCRIPTION
 HP75/HP100 (O-ring Design) POWER FRAME ASSEMBLY (METRIC)

REF. NO.
 M-HP75-100PF

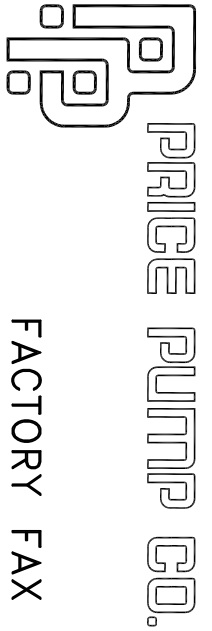
DATE
 11/19/14

REV.
 -



MATERIAL	MODEL	B	F
SS	HP75SS/HP75SC	129	19
BRONZE	HP75AB	129	19
SS	HP100SS/HP100SC	127	25
BRONZE	HP100AB	127	25

NOTES UNLESS OTHERWISE SPECIFIED:
 ALL DIMENSIONS ARE GIVEN IN MILLIMETERS, ± 2mm.



FACTORY FAX TRANSMITTAL DRAWING

21775 Eighth Street East
 Sonoma, CA 95476 (707) 938-8441
 707-FAX 938-0764